

GS-HYDRO – INTERPUMP FLUID SOLUTIONS

ONE-PIECE HOSE COUPLINGS



GS-PIPING WITHOUT WELDING™



INTERPUMP
FLUID SOLUTIONS

Powered by I.M.M. Hydraulics



GS-Hydro



Main Index

COUPLINGS FOR BRAIDED HOSE 1 – 52
COUPLINGS FOR SPIRAL HOSE 53 – 76

Section Index

0370G 6
 037GG, N051G 7
 0850G 8
 0911G 9
 0910G, 1001G 10
 1000G, 0951G 11
 0950G, 2971G 12
 S350G, S05TG 13
 S250G 14
 S150G 15
 0385G, 0390G 16
 0395G, IF00G 17
 IF45G, IF90G 18
 0930G, 0980G 19
 0940G, 1040G 20
 0990G, K05BG 21
 0360G 22
 0350G 23
 0051G, 0050G 24
 0251G, 0250G 25
 0151G, 0150G 26
 0041G, 0241G 27
 0141G, 2321G 28
 0060G 29
 1400G 30
 1600-00, 1600 31
 FK50G 32
 0550G 33
 0750G 34
 0750G 35
 0650G 36
 0650G 37
 1350G 38
 1650 39
 0500G 40
 0085G 41
 0285G 42
 0185G 43
 0450G 44
 0084G 45
 0284G 46
 0184G 47
 1260G, 1160G 48
 1060G 49
 1060G 50
 D050G 51



0370G



NPTF Male 60° Cone

6

037GG



NPTF Male Parallel
60° Cone Rotating

7

N051G



NPSM Female 60°
Cone Rolled Nut

7



0850G



JIC Male 74° Cone

8

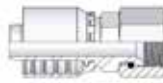
0911G



JIC Female 74° Cone
Rolled Nut

9

0910G



JIC Female 74° Cone
Thrust Wire Nut

10

1001G



JIC 90° Swept Elbow
74° Cone Rolled Nut

10

1000G



JIC 45° Swept Elbow
74° Cone Slipse on nut

11

0951G



JIC 90° Swept Elbow
74° Cone Rolled Nut

11

0950G



JIC 90° Swept Elbow
74° Cone Thrust Wire
Nut

12

2971G



JIC 90° Compact
Elbow 74° Cone
Crimped Nut

12



S350G



ORFS Male

13

S05TG



ORFS Female Back
Hexagon

13

S250G



ORFS 45° Swept
Elbow

14

S150G



ORFS 90° Swept
Elbow

15



0385G



SAE Male O'R Flat
Seat

16

0390G



Swivel Male O'Ring

16

0395G



90° Swivel Male O'ring

17



IF00G



Straight Male Inverted
Flare Swivel

17

IF45G



45° Male Inverted
Flare Swivel

18

IF90G



90° Male Inverted Flare Swivel

18



0930G



JIS Female 60° Cone (Toyota)

19

0980G



90° JIS Swept Elbow (Toyota) - welded

19



0940G



JIS Female 60° Cone (Komatsu)

20

1040G



45° JIS Swept Elbow (Komatsu) Welded

20

0990G



90° JIS Swept Elbow (Komatsu) Welded

21



K05BG



Kobelco Male

21



0360G



BSP Taper Male 60° Cone

22

0350G



BSP Male Parallel 60° Cone

23

0051G



BSP Female 60° Cone Rolled Nut

24

0050G



BSP Female 60° Cone Thrust wire Nut

24

0251G



BSP 45° Swept Elbow 60° Cone Rolled nut

25

0250G



BSP 45° Swept Elbow 60° Cone Thrust Wire Nut

25

0151G



BSP 90° Swept elbow 60° Cone Rolled Nut

26

0150G



BSP 90° Swept Elbow 60° Cone Thrust Wire

26

0041G



BSP O'Ring Female 60° Cone Rolled Nut

27

0241G



BSP O'Ring 45° Swept Elbow 60° Cone Rolled nut

27

0141G



BSP O'Ring 90° Swept elbow 60° Cone Rolled Nut

28

2321G



BSP 90° Compact Elbow 60° Cone Rolled nut

28



0060G



BSP Female Flat Seal

29



1400G



BSP Banjo

30

1600-00



BSP perfored bolt

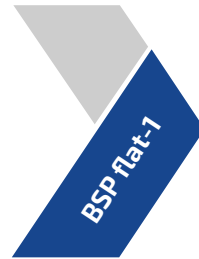
31

1600



Double BSP perfored bolt

31



FK50G



K' Female

32



0550G



Metric Standpipe

33

0750G



45° Metric Standpipe

34

0750G



45° Metric Standpipe (Welded)

35

0650G



90° Metric Standpipe

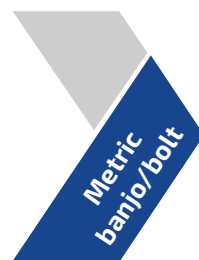
36

0650G



90° Metric Standpipe (welded)

37



1350G



Metric Banjo

38

1650



Metric perfored bolt

39



0500G



Metric Male 24° Seat Light

40

0085G



Metric Female 24° Seat Light

41

0085G



Metric Female 24° Seat Light (rolled nut)

41

0285G



45° Metric Swept Elbow 24° Seat Light

42

0285G



45° Metric Swept Elbow 24° Seat Light (rolled nut)

42

0185G



90° Metric Swept Elbow 24° Seat Light

43

0185G



90° Metric Swept Elbow 24° Seat Light (rolled nut)

43



0450G



Metric Male 24° Seat Heavy

44

0084G



Metric Female 24°
Seat Heavy

45

0284G



45° Metric Swept
Elbow 24° Seat Heavy

46

0184G



90° Metric Swept
Elbow 24° Seat Heavy

47



1260G



Straight SAE Flange
3000 PSI

48

1160G



45° SAE Flange 3000
PSI

48

1060G



90° SAE Flange 3000
PSI

49

1060G



22.5°/30°/60°/67.5°
SAE Flange 3000 PSI

50



D050G

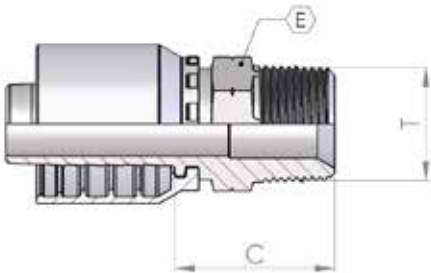


Hose Junction

51

0370G

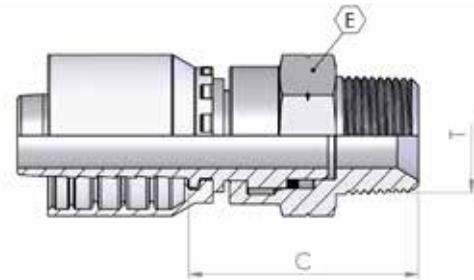
NPTF Male 60° Cone



Part number	Hose I.D.		Dimension			
	in	mm	dash size	thread	hex	cut-off
				T	E	C
0370G03-02	3/16	4.8	3	1/8-27	12	22
0370G03-04	3/16	4.8	3	1/4-18	15	27
0370G04-02	1/4	6.4	4	1/8-27	12	22
0370G04-04	1/4	6.4	4	1/4-18	15	28
0370G04-06	1/4	6.4	4	3/8-18	19	28
0370G05-04	5/16	7.9	5	1/4-18	15	28
0370G05-06	5/16	7.9	5	3/8-18	19	28
0370G05-08	5/16	7.9	5	1/2-14	22	34
0370G06-04	3/8	9.5	6	1/4-18	17	28
0370G06-06	3/8	9.5	6	3/8-18	19	28
0370G06-08	3/8	9.5	6	1/2-14	22	34
0370G08-06	1/2	12.7	8	3/8-18	19	29
0370G08-08	1/2	12.7	8	1/2-14	22	35
0370G08-12	1/2	12.7	8	3/4-14	27	36
0370G10-08	5/8	15.9	10	1/2-14	24	35
0370G10-12	5/8	15.9	10	3/4-14	27	36
0370G12-08	3/4	19.0	12	1/2-14	24	36
0370G12-12	3/4	19.0	12	3/4-14	27	37
0370G12-16	3/4	19.0	12	1-11.1/2	36	43
0370G16-16	1	25.4	16	1-11.1/2	36	44
0370G16-20	1	25.4	16	1.1/4-11.1/2	46	46
0370G20-16	1.1/4	31.8	20	1-11.1/2	41	45
0370G20-20	1.1/4	31.8	20	1.1/4-11.1/2	46	47
0370G24-24	1.1/2	38.1	24	1.1/2-11.1/2	50	49
0370G32-32	2	50.8	32	2-11.1/2	65	55

037GG

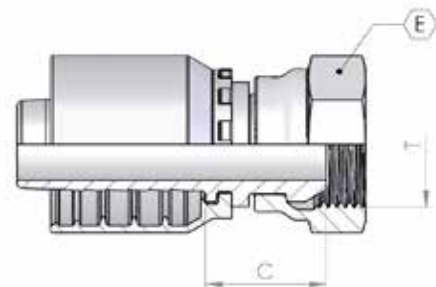
NPTF Male Parallel 60° Cone - Rotating



Part number	Hose I.D.		Dimension			
	in	mm	dash size	thread	hex	cut-off
				T	E	C
037GG04-04	1/4	6.4	4	1/4-18	19	39
037GG06-06	3/8	9.5	6	3/8-18	22	43
037GG08-08	1/2	12.7	8	1/2-14	27	49
037GG12-12	3/4	19.0	12	3/4-14	32	52

N051G

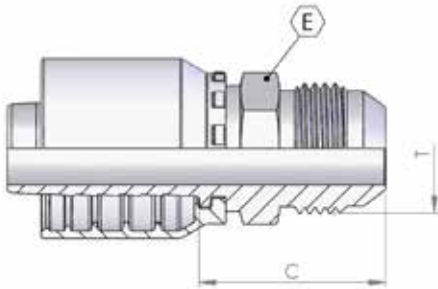
NPSM Female 60° Cone Rolled Nut



Part number	Hose I.D.		Dimension			
	in	mm	dash size	thread	hex	cut-off
				T	E	C
N051G03-04	3/16	4.8	3	1/4-18	19	17
N051G04-04	1/4	6.4	4	1/4-18	19	17
N051G06-06	3/8	9.5	6	3/8-18	22	19
N051G08-08	1/2	12.7	8	1/2-14	27	23

0850G

JIC Male 74° Cone

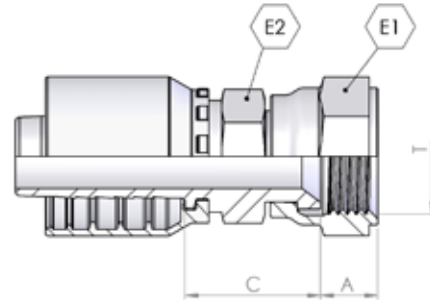


* SAE 45°

Part number	Hose I.D.		Dimension			
	in	mm	dash size	thread	hex	cut-off
				T	E	C
0850G03-04	3/16	4.8	3	7/16-20	12	26
0850G04-04	1/4	6.4	4	7/16-20	12	27
0850G04-05	1/4	6.4	4	1/2-20	14	27
0850G04-06	1/4	6.4	4	9/16-18	15	27
0850G05-05	5/16	7.9	5	1/2-20	14	27
0850G05-06	5/16	7.9	5	9/16-18	15	27
0850G05-08	5/16	7.9	5	3/4-16	19	30
0850G06-06	3/8	9.5	6	9/16-18	15	27
* SAE 45° 0850G06-07	3/8	9.5	6	5/8-18	17	30
0850G06-08	3/8	9.5	6	3/4-16	19	30
0850G06-10	3/8	9.5	6	7/8-14	24	34
0850G08-06	1/2	12.7	8	9/16-18	19	28
0850G08-08	1/2	12.7	8	3/4-16	19	31
0850G08-10	1/2	12.7	8	7/8-14	24	35
0850G08-12	1/2	12.7	8	1.1/16-12	27	37
0850G10-10	5/8	15.9	10	7/8-14	24	35
0850G10-12	5/8	15.9	10	1.1/16-12	27	37
0850G12-10	3/4	19.0	12	7/8-14	24	36
0850G12-12	3/4	19.0	12	1.1/16-12	27	38
0850G12-14	3/4	19.0	12	1.3/16-12	32	41
0850G12-16	3/4	19.0	12	1.5/16-12	34	42
0850G12-20	3/4	19.0	12	1.5/8-12	42	45
0850G16-12	1	25.4	16	1.1/16-12	27	39
0850G16-14	1	25.4	16	1.3/16-12	32	42
0850G16-16	1	25.4	16	1.5/16-12	34	43
0850G16-20	1	25.4	16	1.5/8-12	42	46
0850G20-20	1.1/4	31.8	20	1.5/8-12	42	47
0850G20-24	1.1/4	31.8	20	1.7/8-12	50	52
0850G24-24	1.1/2	38.1	24	1.7/8-12	50	52
0850G32-32	2	50.8	32	2.1/2-12	65	62

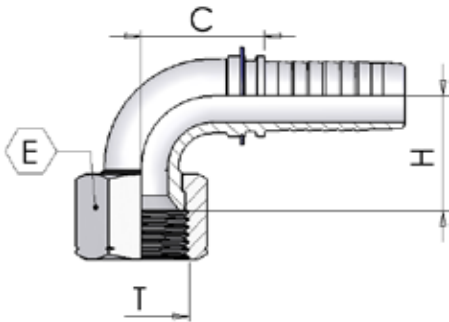
0911G

JIC Female 74° Cone - Rolled Nut



Part number	Hose I.D.		Dimension				
	in	mm	dash size	thread	hex	cut-off	
				T	E	C	A
0911G03-04	3/16	4.8	3	7/16-20	15	14	8.5
0911G03-05	3/16	4.8	3	1/2-20	17	14	9.5
0911G04-04	1/4	6.4	4	7/16-20	15	14	8.5
0911G04-05	1/4	6.4	4	1/2-20	17	15	9.5
0911G04-06	1/4	6.4	4	9/16-18	19	16	9
*SAE 45° 0911G04-07	1/4	6.4	4	5/8-18	22	17	11
0911G05-05	5/16	7.9	5	1/2-20	17	17	9.5
0911G05-06	5/16	7.9	5	9/16-18	19	16	9
*SAE 45° 0911G05-07	5/16	7.9	5	5/8-18	22	17	11
0911G05-08	5/16	7.9	5	3/4-16	24	17	10.5
0911G06-04	3/8	9.5	6	7/16-20	15	15	9
0911G06-05	3/8	9.5	6	1/2-20	17	15	9.5
0911G06-06	3/8	9.5	6	9/16-18	19	16	9
*SAE 45° 0911G06-07	3/8	9.5	6	5/8-18	22	16	11
0911G06-08	3/8	9.5	6	3/4-16	24	17	10.5
0911G06-10	3/8	9.5	6	7/8-14	27	21	13
0911G08-08	1/2	12.7	8	3/4-16	24	18	10.5
0911G08-10	1/2	12.7	8	7/8-14	27	19	13
0911G08-12	1/2	12.7	8	1.1/16-12	32	24	13.5
0911G10-10	5/8	15.9	10	7/8-14	27	19	13
0911G10-12	5/8	15.9	10	1.1/16-12	32	21	13.5
0911G12-10	3/4	19.0	12	7/8-14	27	20	13
0911G12-12	3/4	19.0	12	1.1/16-12	32	22	13.5
0911G12-14	3/4	19.0	12	1.3/16-12	36	23	14
0911G12-16	3/4	19.0	12	1.5/16-12	38	23	15.5
0911G16-12	1	25.4	16	1.1/16-12	32	23	13.5
0911G16-16	1	25.4	16	1.5/16-12	38	24	15.5

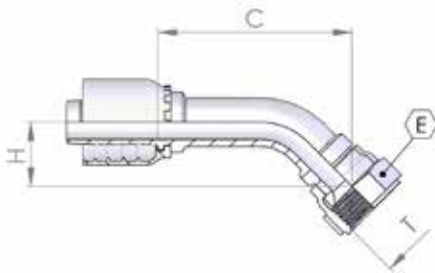
0910G



JIC Female 74° Cone - Thrust Wire Nut

Part number	Hose I.D.		Dimension					
	in	mm	dash size	thread	hex		cut-off	
				T	E1	E2	C	A
0910G20-20	1.1/4	31.8	20	1.5/8"-12	50	46	39	16
0910G24-24	1.1/2	38.1	24	1.7/8"-12	55	50	41	18
0910G32-32	2	50.8	32	2.1/2"-12	70	65	61	19

1001G

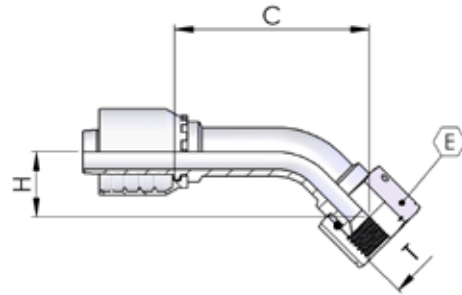


JIC 90° Swept Elbow 74° Cone - Rolled Nut

Part number	Hose I.D.		Dimension					
	in	mm	dash size	thread	hex	cut-off	Drop	
				T	E	C	H	
1001G03-04	3/16	4.8	3	7/16-20	15	33	15	
1001G04-04	1/4	6.4	4	7/16-20	15	38	13	
1001G04-05	1/4	6.4	4	1/2-20	17	40	14	
1001G04-06	1/4	6.4	4	9/16-18	19	47	18	
1001G05-05	5/16	7.9	5	1/2-20	17	16	17	
1001G05-06	5/16	7.9	5	9/16-18	19	47	18	
1001G06-05	3/8	9.5	6	1/2-20	17	51	17	
1001G06-06	3/8	9.5	6	9/16-18	19	51	17	
*SAE 45°	1001G06-07	3/8	9.5	6	5/8-18	22	51	17
	1001G06-08	3/8	9.5	6	3/4-16	24	52	19
	1001G06-10	3/8	9.5	6	7/8-14	27	54	21
	1001G08-08	1/2	12.7	8	3/4-16	24	62	22
	1001G08-10	1/2	12.7	8	7/8-14	27	64	23
	1001G08-12	1/2	12.7	8	1.1/16-12	32	68	25
	1001G10-10	5/8	15.9	10	7/8-14	27	68	24
	1001G10-12	5/8	15.9	10	1.1/16-12	32	70	25
WELDED	1001G12-10	3/4	19	12	7/8-14	27	83	27
	1001G12-12	3/4	19	12	1.1/16-12	32	84	28
	1001G12-16	3/4	19	12	1.5/16-12	38	88	30
	1001G16-16	1	25.4	16	1.5/16-12	38	104	33

1000G

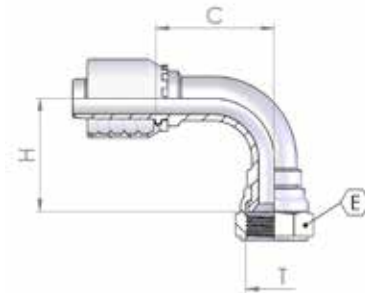
JIC 45° Swept Elbow 74° Cone - Slip on nut



Part number	Hose I.D.		Dimension				
	in	mm	dash size	thread	hex	cut-off	Drop
				T	E	C	H
1000G20-20	1.1/4	31.8	20	1.5/8"-12	50	102	40
1000G24-24	1.1/2	38.1	24	1.7/8"-12	55	119	49
1000G32-32	2	50.8	32	2.1/2"-12	70	142	65

0951G

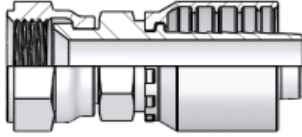
JIC 90° Swept Elbow 74° Cone - Rolled Nut



Part number	Hose I.D.		Dimension				
	in	mm	dash size	thread	hex	cut-off	Drop
				T	E	C	H
0951G03-04	3/16	4.8	3	7/16-20	15	22	22
0951G03-05	3/16	4.8	3	1/2-20	17	22	22
0951G04-04	1/4	6.4	4	7/16-20	15	25	24
0951G04-05	1/4	6.4	4	1/2-20	17	25	25
0951G04-06	1/4	6.4	4	9/16-18	19	25	27
0951G05-05	5/16	7.9	5	1/2-20	17	29	30
0951G05-06	5/16	7.9	5	9/16-18	19	29	31
0951G06-05	3/8	9.5	6	1/2-20	17	33	30
0951G06-06	3/8	9.5	6	9/16-18	19	31	32
*SAE 45° 0951G06-07	3/8	9.5	6	5/8-18	22	33	32
0951G06-08	3/8	9.5	6	3/4-16	24	33	34
0951G06-10	3/8	9.5	6	7/8-14	27	33	36
0951G08-08	1/2	12.7	8	3/4-16	24	41	41
0951G08-10	1/2	12.7	8	7/8-14	27	41	40
0951G08-12	1/2	12.7	8	1.1/16-12	32	39	43
0951G10-10	5/8	15.9	10	7/8-14	27	43	44
WELDED 0951G12-10	3/4	19	12	7/8-14	27	56	53
0951G12-12	3/4	19	12	1.1/16-12	32	56	54
0951G12-14	3/4	19	12	1.3/16-12	36	57	53
0951G12-16	3/4	19	12	1.5/16-12	38	55	56
0951G16-12	1	25.4	16	1.1/16-12	32	70	63
0951G16-16	1	25.4	16	1.5/16-12	38	70	65

0950G

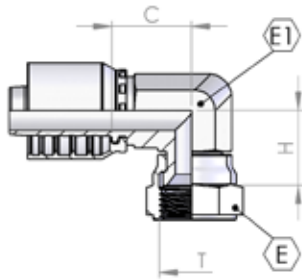
JIC 90° Swept Elbow 74° Cone - Thrust Wire Nut



Part number	Hose I.D.		Dimension				
	in	mm	dash size	thread	hex	cut-off	Drop
				T	E	C	H
0950G20-20	1.1/4	31.8	20	1.5/8"-12	50	87	83
0950G24-24	1.1/2	38.1	24	1.7/8"-12	55	102	97
0950G32-32	2	50.8	32	2.1/2"-12	70	125	134

2971G

JIC 90° Compact Elbow 74° Cone - Crimped Nut

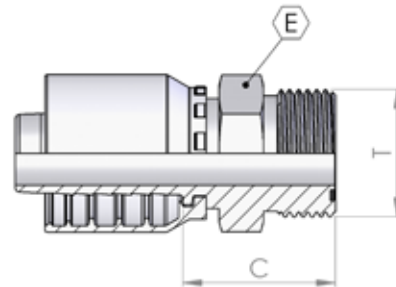


Part number	Hose I.D.		Dimension					
	in	mm	dash size	thread	hex		cut-off	Drop
				T	E	E1	C	H
2971G04-04	1/4	6.4	4	7/16-20	15	15	19	17
2971G04-05	1/4	6.4	4	1/2-20	17	15	19	18
2971G04-06	1/4	6.4	4	9/16-18	19	15	19	19
2971G05-06	5/16	7.9	5	9/16-18	19	17	20	20
2971G06-06	3/8	9.5	6	9/16-18	19	17	23	20
2971G06-08	3/8	9.5	6	3/4-16	24	22	24	22
2971G08-08	1/2	12.7	8	3/4-16	24	22	26	23
2971G08-10	1/2	12.7	8	7/8-14	27	22	26	24
2971G12-12	3/4	19	12	1.1/16-12	32	27	32	29
2971G16-16	1	25.4	16	1.5/16-12	38	32	38	34

S350G

ORFS Male

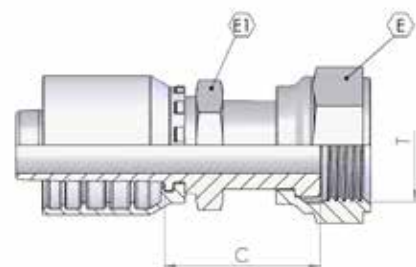
- with plug and O-Ring



Part number	Hose I.D.		Dimension			
	in	mm	dash size	thread	hex	cut-off
				T	E	C
S350G04-06	1/4	6.4	4	9/16-18	17	23
S350G04-09	1/4	6.4	4	11/16-16	19	21
S350G05-09	5/16	7.9	5	11/16-16	19	26
S350G06-09	3/8	9.5	6	11/16-16	19	26
S350G06-11	3/8	9.5	6	13/16-16	22	29
S350G08-11	1/2	12.7	8	13/16-16	22	29
S350G08-13	1/2	12.7	8	1-14	27	34
S350G08-14	1/2	12.7	8	1.3/16-12	32	35
S350G10-13	5/8	15.9	10	1-14	27	33
S350G10-14	5/8	15.9	10	1.3/16-12	32	35
S350G12-14	3/4	19.0	12	1.3/16-12	32	36
S350G12-15	3/4	19.0	12	1.7/16-12	38	36
S350G16-15	1	25.4	16	1.7/16-12	38	37
S350G16-21	1	25.4	16	1.11/16-12	46	38
S350G20-21	1.1/4	31.8	20	1.11/16-12	46	39

S05TG

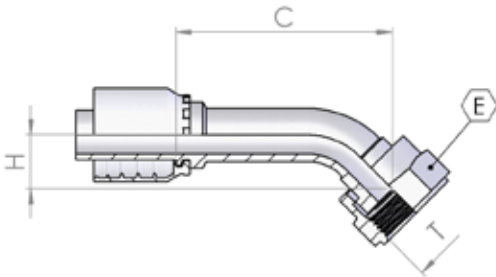
ORFS Female Back Hexagon



Part number	Hose I.D.		Dimension				
	in	mm	dash size	thread	hex	cut-off	
				T	E	E1	C
S05TG04-06	1/4	6.4	4	9/16-18	17	15	30
S05TG06-09	3/8	9.5	6	11/16-16	22	17	34
S05TG08-11	1/2	12.7	8	13/16-16	24	19	37
S05TG10-13	5/8	15.9	10	1-14	30	24	41
S05TG12-14	3/4	19.0	12	1.3/16-12	36	30	42
S05TG16-15	1	25.4	16	1.7/16-12	41	36	50
S05TG-20-21	1.1/4	31.8	20	1.11/16-12	50	46	60
S05TG-24-32	1.1/2	38.1	24	2-12	60	50	68

S250G

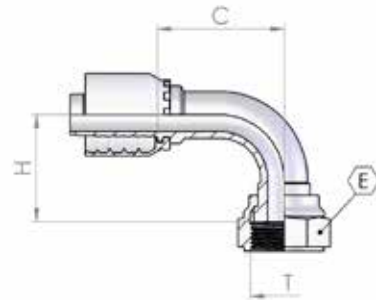
ORFS 45° Swept Elbow



Part number	Hose I.D.		Dimension				
	in	mm	dash size	thread	hex	cut-off	Drop
				T	E	C	H
S250G04-06	1/4	6.4	4	9/16-18	19	40	14
S250G04-09	1/4	6.4	4	11/16-16	22	38	14
S250G05-09	5/16	7.9	5	11/16-16	22	44	14
S250G06-09	3/8	9.5	6	11/16-16	22	52	17
S250G06-11	3/8	9.5	6	13/16-16	24	51	18
S250G08-11	1/2	12.7	8	13/16-16	24	62	20
S250G08-13	1/2	12.7	8	1-14	30	64	23
S250G08-14	1/2	12.7	8	1.3/16-12	36	62	23
S250G10-13	5/8	15.9	10	1-14	30	67	22
WELDED S250G10-14	5/8	15.9	10	1.3/16-12	36	44	18
WELDED S250G12-13	3/4	19.0	12	1-14	30	40	15
S250G12-14	3/4	19.0	12	1.3/16-12	36	84	23
S250G12-15	3/4	19.0	12	1.7/16-12	41	84	26
S250G16-15	1	25.4	16	1.7/16-12	41	100	31
WELDED S250G20-21	1.1/4	31.8	20	1.11/16-12	50	125	44
WELDED S250G24-32	1.1/2	38.1	24	2-12	60	78	29

S150G

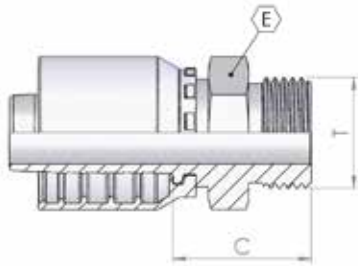
ORFS 90° Swept Elbow



Part number	Hose I.D.		Dimension				
	in	mm	dash size	thread	hex	cut-off	Drop
				T	E	C	H
S150G04-06	1/4	6.4	4	9/16-18	19	25	26
S150G04-09	1/4	6.4	4	11/16-16	22	25	23
S150G05-09	5/16	7.9	5	11/16-16	22	29	32
S150G06-09	3/8	9.5	6	11/16-16	22	33	33
S150G06-11	3/8	9.5	6	13/16-16	24	33	32
S150G08-11	1/2	12.7	8	13/16-16	24	39	36
S150G08-13	1/2	12.7	8	1-14	30	39	40
S150G08-14	1/2	12.7	8	1.3/16-12	36	42	39
S150G10-13	5/8	15.9	10	1-14	30	47	39
WELDED S150G10-14	5/8	15.9	10	1.3/16-12	36	42	39
WELDED S150G12-13	3/4	19.0	12	1-14	30	42	39
S150G12-14	3/4	19.0	12	1.3/16-12	36	57	49
S150G12-15	3/4	19.0	12	1.7/16-12	41	56	51
S150G16-15	1	25.4	16	1.7/16-12	41	67	62
WELDED S150G16-21	1	25.4	20	1.11/16-12	50	62	58
WELDED S150G20-21	1.1/4	31.8	20	1.11/16-12	50	63	58
WELDED S150G24-32	1.1/2	38.1	24	2-12	60	80	73

0385G

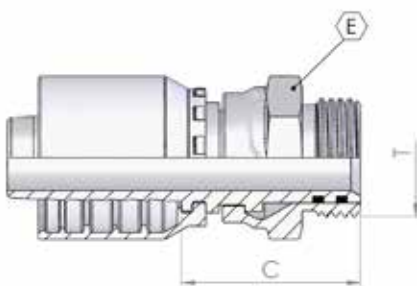
SAE Male O'R - Flat Seat



Part number	Hose I.D.		Dimension			
	in	mm	dash size	thread	hex	cut-off
				T	E	C
0385G04-04	1/4	6.4	4	7/16-20	14	24
0385G04-06	1/4	6.4	4	9/16-18	17	24
0385G05-06	5/16	7.9	5	9/16-18	17	24
0385G06-06	3/8	9.5	6	9/16-18	17	25
0385G06-08	3/8	9.5	6	3/4-16	22	28
0385G08-08	1/2	12.7	8	3/4-16	22	28
0385G08-10	1/2	12.7	8	7/8-14	27	30
0385G08-12	1/2	12.7	8	1.1/16-12	32	32
0385G10-10	5/8	15.9	10	7/8-14	27	30
0385G10-12	5/8	15.9	10	1.1/16-12	32	32
0385G12-12	3/4	19.0	12	1.1/16-12	32	33

0390G

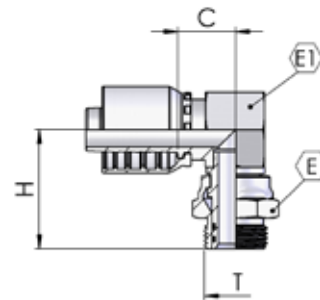
Swivel Male O'Ring



Part number	Hose I.D.		Dimension			
	in	mm	dash size	thread	hex	cut-off
				T	E	C
0390G08-10	1/2	12.7	8	7/8-14	27	39
0390G10-10	5/8	15.9	10	7/8-14	27	39
0390G12-12	3/4	19.0	12	1.1/16-12	32	43

0395G

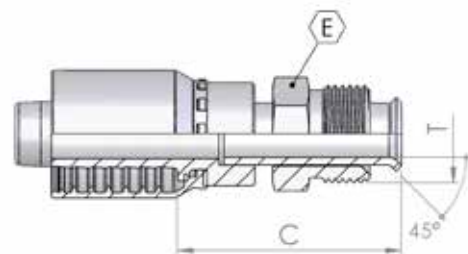
90° Swivel Male O'ring



Part number	Hose I.D.		Dimension					
	in	mm	dash size	thread	hex		cut-off	Drop
				T	E	E1	C	H
0395G08-10	1/2	12.7	8	7/8-14	27	27	21	48
0395G10-10	5/8	15.9	10	7/8-14	27	27	21	48
0395G12-12	3/4	19.0	12	1.1/16-12	32	32	25	52

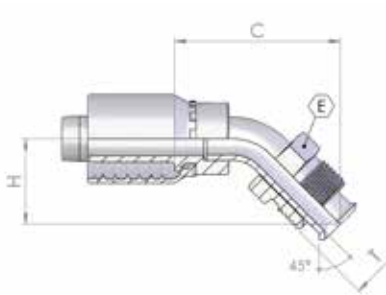
IF00G

Straight Male Inverted Flare Swivel



Part number	Hose I.D.		Dimension			
	in	mm	dash size	thread	hex	cut-off
				T	E	C
IF00G04-04	1/4	6.4	4	7/16-24	12	38
IF00G04-05	1/4	6.4	4	1/2-20	14	55
IF00G05-04	5/8	7.9	5	7/16-24	12	56
IF00G05-05	5/8	7.9	5	1/2-20	14	56
IF00G05-07	5/8	7.9	5	5/8-18	17	56
IF00G06-04	3/8	9.5	6	7/16-24	12	56
IF00G06-05	3/8	9.5	6	1/2-20	14	56
IF00G06-07	3/8	9.5	6	5/8-18	17	57
IF00G06-09	3/8	9.5	6	11/16-18	19	42
IF00G08-08	1/2	12.7	8	3/4-18	19	60

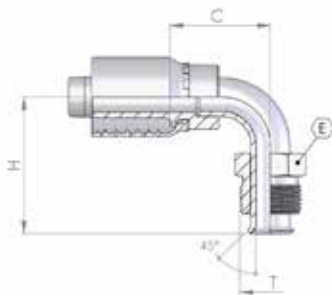
IF45G



45° Male Inverted Flare Swivel

Part number	Hose I.D.		Dimension				
	in	mm	dash size	thread	hex	cut-off	Drop
				T	E	C	H
IF45G06-04	3/8	9.5	6	7/16-24	12	48	25
IF45G06-05	3/8	9.5	6	1/2-20	14	48	25
IF45G06-07	3/8	9.5	6	5/8-18	17	54	30
IF45G06-09	3/8	9.5	6	11/16-18	19	54	30
IF45G08-08	1/2	12.7	8	3/4-18			

IF90G

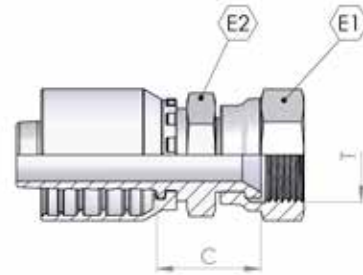


90° Male Inverted Flare Swivel

Part number	Hose I.D.		Dimension				
	in	mm	dash size	thread	hex	cut-off	Drop
				T	E	C	H
IF90G04-04	1/4	6.4	4	7/16-24	12	29	36
IF90G04-05	1/4	6.4	4	1/2-20	14	30	34
IF90G05-04	5/8	7.9	5	7/16-24	12	24	38
IF90G05-05	5/8	7.9	5	1/2-20	14	30	35
IF90G05-07	5/8	7.9	5	5/8-18	17	30	43
IF90G06-04	3/8	9.5	6	7/16-24	12	30	35
IF90G06-05	3/8	9.5	6	1/2-20	14	30	35
IF90G06-07	3/8	9.5	6	5/8-18	17	31	44
IF90G06-09	3/8	9.5	6	11/16-18	19	31	42
IF90G08-08	1/2	12.7	8	3/4-18	19	35	45

0930G

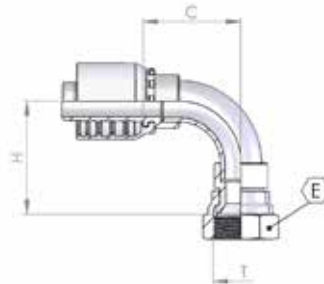
JIS Female 60° Cone (Toyota)



Part number	Hose I.D.		Dimension				
	in	mm	dash size	thread	hex		cut-off
				T	E	E1	C
0930G04-04	1/4	6.4	4	1/4-19	19	17	20
0930G06-06	3/8	9.5	6	3/8-19	22	19	22
0930G08-08	1/2	12.7	8	1/2-14	27	22	26
0930G12-12	3/4	19.0	12	3/4-14	32	30	29
0930G16-16	1	25.4	16	1-11	38	36	31
0930G20-20	1.1/4	31.8	20	1.1/4-11	50	46	35
0930G24-24	1.1/2	38.1	24	1.1/2-11	55	50	28

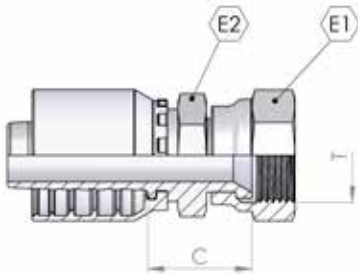
0980G

90° JIS Swept Elbow (Toyota) - welded



Part number	Hose I.D.		Dimension				
	in	mm	dash size	thread	hex	cut-off	Drop
				T	E	C	H
0980G04-04	1/4	6.4	4	1/4-19	19	38	35
0980G06-06	3/8	9.5	6	3/8-19	22	27	30
0980G08-08	1/2	12.7	8	1/2-14	27	33	39
0980G12-12	3/4	19.0	12	3/4-14	32	48	55
0980G16-16	1	25.4	16	1-11	38	57	62
0980G20-20	1.1/4	31.8	20	1.1/4-11	50	63	65
0980G24-24	1.1/2	38.1	24	1.1/2-11	55	80	83

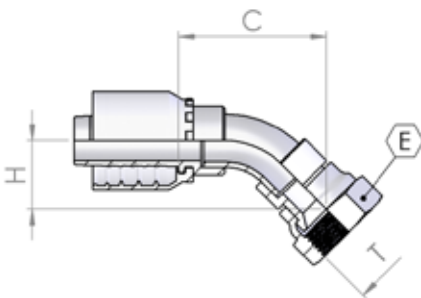
0940G



JIS Female 60° Cone (Komatsu)

Part number	Hose I.D.		Dimension				
	in	mm	dash size	thread	hex		cut-off
				T	E	E1	C
0940G04-14	1/4	6.4	4	M14x1.5	19	17	22
0940G05-16	5/16	7.9	5	M16x1.5	22	17	22
0940G06-14	3/8	9.5	6	M14x1.5	19	17	22
0940G06-18	3/8	9.5	6	M18x1.5	24	19	21
0940G08-22	1/2	12.7	8	M22x1.5	27	22	27
0940G10-24	5/8	15.9	10	M24x1.5	30	27	26
0940G12-30	3/4	19.0	12	M30x1.5	36	30	30
0940G16-33	1	25.4	16	M33x1.5	41	36	33
0940G20-36	1.1/4	31.8	20	M36x1.5	46	46	37
0940G24-42	1.1/2	38.1	24	M42x1.5	50	50	38

1040G

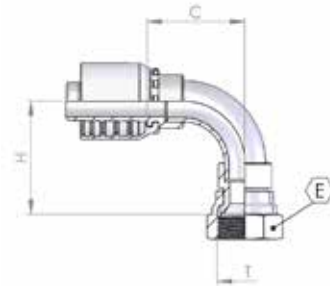


45° JIS Swept Elbow (Komatsu) - Welded

Part number	Hose I.D.		Dimension				
	in	mm	dash size	thread	hex	cut-off	Drop
				T	E	C	H
1040G-04-14	1/4	6.4	4	M14-1.5	19	44	18
1040G05-16	5/16	7.9	5	M16-1.5	22	38	18
1040G06-14	3/8	9.5	6	M14-1.5	19	41	18
1040G06-18	3/8	9.5	6	M18-1.5	24	43	18
1040G08-22	1/2	12.7	8	M22-1.5	27	40	20
1040G10-24	5/8	15.9	10	M24-1.5	30	50	26
1040G12-30	3/4	19.0	12	M30-1.5	36	56	26
1040G16-33	1	25.4	16	M33-1.5	41	65	33

0990G

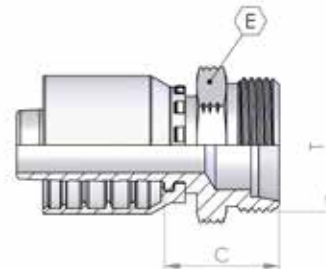
90° JIS Swept Elbow (Komatsu) - Welded



Part number	Hose I.D.		Dimension				
	in	mm	dash size	thread	hex	cut-off	Drop
				T	E	C	H
0990G04-14	1/4	6.4	4	M14x1.5	19	38	35
0990G05-16	5/16	7.9	5	M16x1.5	22	27	30
0990G06-14	3/8	9.5	6	M14x1.5	19	31	33
0990G06-18	3/8	9.5	6	M18x1.5	24	31	33
0990G08-22	1/2	12.7	8	M22x1.5	27	33	39
0990G10-24	5/8	15.9	10	M24x1.5	30	42	48
0990G12-30	3/4	19.0	12	M30x1.5	36	48	43
0990G16-33	1	25.4	16	M33x1.5	41	57	62

K05BG

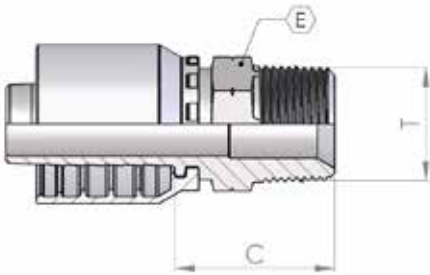
Kobelko Male



Part number	Hose I.D.		Dimension			
	in	mm	dash size	thread	hex	cut-off
				T	E	C
K05BG10-30	5/8	15.9	10	M30-1.5	32	32
K05BG12-30	3/4	19.0	12	M30-1.5	32	35
K05BG12-36	3/4	19.0	12	M36-1.5	41	36
K05BG16-36	1	25.4	16	M36-1.5	41	37
K05BG16-45	1	25.4	16	M45-1.5	50	38

0360G

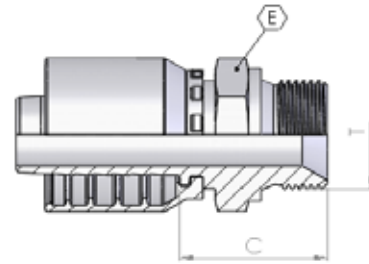
BSP Taper Male 60° Cone



Part number	Hose I.D.		Dimension			
	in	mm	dash size	thread	hex	cut-off
				T	E	C
0360G03-02	3/16	4.8	3	1/8-28	12	21
0360G03-04	3/16	4.8	3	1/4-19	15	27
0360G04-02	1/4	6.4	4	1/8-28	12	22
0360G04-04	1/4	6.4	4	1/4-19	15	28
0360G04-06	1/4	6.4	4	3/8-19	19	28
0360G05-04	5/16	7.9	5	1/4-19	15	28
0360G05-06	5/16	7.9	5	3/8-19	19	28
0360G06-04	3/8	9.5	6	1/4-19	17	28
0360G06-06	3/8	9.5	6	3/8-19	19	28
0360G06-08	3/8	9.5	6	1/2-14	22	33
0360G08-06	1/2	12.7	8	3/8-19	19	29
0360G08-08	1/2	12.7	8	1/2-14	22	34
0360G08-12	1/2	12.7	8	3/4-14	27	36
0360G10-08	5/8	15.9	10	1/2-14	22	34
0360G10-10	5/8	15.9	10	5/8-14	24	35
0360G10-12	5/8	15.9	10	3/4-14	27	36
0360G12-12	3/4	19.0	12	3/4-14	27	37
0360G12-16	3/4	19.0	12	1-11	36	43
0360G16-16	1	25.4	16	1-11	36	44
0360G16-20	1	25.4	16	1.1/4-11	46	46
0360G20-20	1.1/4	31.8	20	1.1/4-11	46	47
0360G20-24	1.1/4	31.8	20	1.1/2-11	50	49
0360G24-24	1.1/2	38.1	24	1.1/2-11	50	49
0360G24-32	1.1/2	38.1	24	2-11	65	55
0360G32-32	2	50.8	32	2-11	65	55

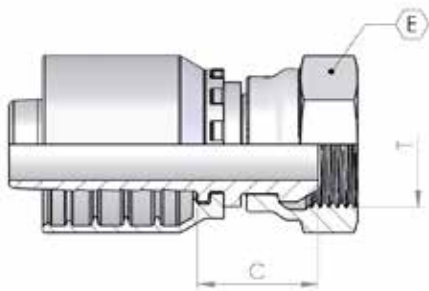
0350G

BSP Male Parallel 60° Cone



Part number	Hose I.D.		Dimension			
	in	mm	dash size	thread	hex	cut-off
				T	E	C
0350G03-02	3/16	4.8	3	1/8-28	14	21
0350G03-04	3/16	4.8	3	1/4-19	19	26
0350G04-02	1/4	6.4	4	1/8-28	14	21
0350G04-04	1/4	6.4	4	1/4-19	19	27
0350G04-06	1/4	6.4	4	3/8-19	22	28
0350G04-08	1/4	6.4	4	1/2-14	27	35
0350G05-04	5/16	7.9	5	1/4-19	19	27
0350G05-06	5/16	7.9	5	3/8-19	22	28
0350G05-08	5/16	7.9	5	1/2-14	27	32
0350G06-04	3/8	9.5	6	1/4-19	19	27
0350G06-06	3/8	9.5	6	3/8-19	22	29
0350G06-08	3/8	9.5	6	1/2-14	27	32
0350G08-06	1/2	12.7	8	3/8-19	22	29
0350G08-08	1/2	12.7	8	1/2-14	27	33
0350G08-10	1/2	12.7	8	5/8-14	30	34
0350G08-12	1/2	12.7	8	3/4-14	32	35
0350G10-08	5/8	15.9	10	1/2-14	27	33
0350G10-10	5/8	15.9	10	5/8-14	30	35
0350G10-12	5/8	15.9	10	3/4-14	32	35
0350G12-12	3/4	19.0	12	3/4-14	32	36
0350G12-16	3/4	19.0	12	1-11	41	39
0350G16-16	1	25.4	16	1-11	41	40
0350G16-20	1	25.4	16	1.1/4-11	50	44
0350G20-16	1.1/4	31.8	20	1-11	41	41
0350G20-20	1.1/4	31.8	20	1.1/4-11	50	45
0350G20-24	1.1/4	31.8	20	1.1/2-11	55	46
0350G24-24	1.1/2	38.1	24	1.1/2-11	55	46
0350G24-32	1.1/2	38.1	24	2-11	70	54
0350G32-24	2	50.8	32	1.1/2-11	65	50
0350G32-32	2	50.8	32	2-11	70	54

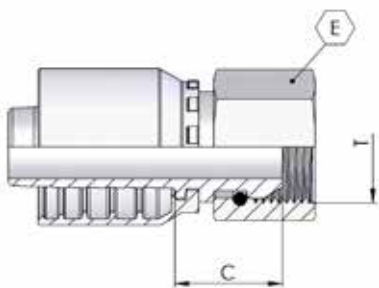
0051G



BSP Female 60° Cone - Rolled Nut

Part number	Hose I.D.		Dimension			
	in	mm	dash size	thread	hex	cut-off
				T	E	C
0051G03-02	3/16	4.8	3	1/8-28	14	15
0051G03-04	3/16	4.8	3	1/4-19	19	17
0051G04-02	1/4	6.4	4	1/8-28	14	15
0051G04-04	1/4	6.4	4	1/4-19	19	17
0051G04-06	1/4	6.4	4	3/8-19	22	19
0051G04-08	1/4	6.4	4	1/2-14	27	22
0051G05-04	5/16	7.9	5	1/4-19	19	17
0051G05-06	5/16	7.9	5	3/8-19	22	19
0051G05-08	5/16	7.9	5	1/2-14	27	22
0051G06-04	3/8	9.5	6	1/4-19	19	17
0051G06-06	3/8	9.5	6	3/8-19	22	19
0051G06-08	3/8	9.5	6	1/2-14	27	22
0051G08-06	1/2	12.7	8	3/8-19	22	20
0051G08-08	1/2	12.7	8	1/2-14	27	23
0051G08-10	1/2	12.7	8	5/8-14	30	20
0051G08-12	1/2	12.7	8	3/4-14	32	27
0051G10-08	5/8	15.9	10	1/2-14	27	23
0051G10-10	5/8	15.9	10	5/8-14	30	20
0051G10-12	5/8	15.9	10	3/4-14	32	25
0051G12-08	3/4	19	12	1/2-14	27	24
0051G12-12	3/4	19	12	3/4-14	32	25
0051G12-16	3/4	19	12	1-11	38	26
0051G16-12	1	25.4	16	3/4-14	32	27
0051G16-16	1	25.4	16	1-11	38	27

0050G

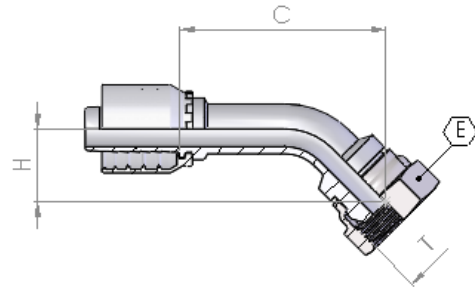


BSP Female 60° Cone - Thrust Wire Nut

Part number	Hose I.D.		Dimension			
	in	mm	dash size	thread	hex	cut-off
				T	E	C
0050G20-20	1.1/4	31.8	20	1.1/4-11	50	32
0050G24-24	1.1/2	38.1	24	1.1/2-11	55	34
0050G32-32	2	50.8	32	2-11	70	30

0251G

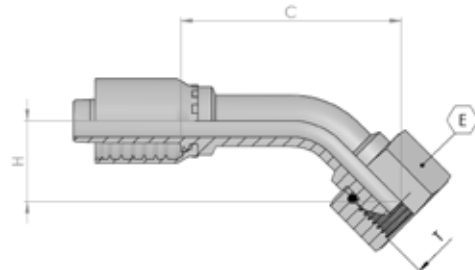
BSP 45° Swept Elbow 60° Cone - Rolled nut



Part number	Hose I.D.		Dimension				
	in	mm	dash size	thread	hex	cut-off	Drop
				T	E	C	H
0251G03-02	3/16	4.8	3	1/8-28	14	33	15
0251G03-04	3/16	4.8	3	1/4-19	19	35	15
0251G04-02	1/4	6.4	4	1/8-28	14	40	14
0251G04-04	1/4	6.4	4	1/4-19	19	41	15
0251G05-04	5/16	7.9	5	1/4-19	19	47	16
0251G05-06	5/16	7.9	5	3/8-19	22	51	19
0251G06-04	3/8	9.5	6	1/4-19	19	50	16
0251G06-06	3/8	9.5	6	3/8-19	22	52	19
0251G06-08	3/8	9.5	6	1/2-14	27	55	21
0251G08-06	1/2	12.7	8	3/8-19	22	63	22
0251G08-08	1/2	12.7	8	1/2-12	27	65	24
0251G08-10	1/2	12.7	8	5/8-14	30	64	21
0251G08-12	1/2	12.7	8	3/4-14	32	67	26
0251G10-08	5/8	15.9	10	1/2-14	27	68	24
0251G10-10	5/8	15.9	10	5/8-14	30	68	23
0251G10-12	5/8	15.9	10	3/4-14	32	72	27
0251G12-12	3/4	19	12	3/4-14	32	86	30
0251G12-16	3/4	19	12	1-11	38	88	32
0251G16-16	1	25.4	16	1-11	38	107	35

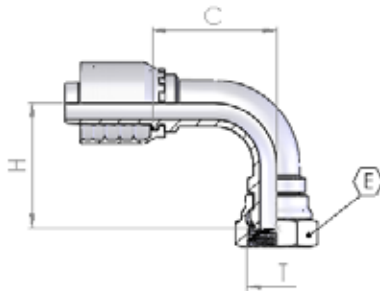
0250G

BSP 45° Swept Elbow 60° Cone - Thrust Wire Nut



Part number	Hose I.D.		Dimension				
	in	mm	dash size	thread	hex	cut-off	Drop
				T	E	C	H
0250G20-20	1.1/4	31.8	20	1.1/4-11	50	107	40
0250G24-24	1.1/2	38.1	24	1.1/2-11	55	117	47
0250G32-32	2	50.8	32	2-11	70	142	65

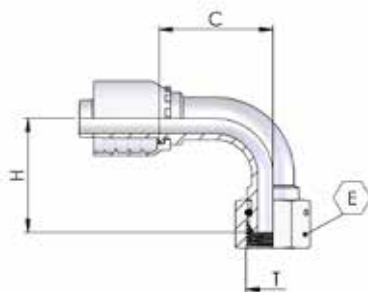
0151G



BSP 90° Swept elbow 60° Cone - Rolled Nut

Part number	Hose I.D.		Dimension				
	in	mm	dash size	thread	hex	cut-off	Drop
				T	E	C	H
0151G03-02	3/16	4.8	3	1/8-28	14	22	23
0151G03-04	3/16	4.8	3	1/4-19	19	22	25
0151G04-02	1/4	6.4	4	1/8-28	14	25	25
0151G04-04	1/4	6.4	4	1/4-19	19	25	27
0151G04-06	1/4	6.4	4	3/8-19	22	25	31
0151G05-04	5/16	7.9	5	1/4-19	19	31	31
0151G05-06	5/16	7.9	5	3/8-19	22	29	36
0151G06-04	3/8	9.5	6	1/4-19	19	31	33
0151G06-06	3/8	9.5	6	3/8-19	22	33	35
0151G06-08	3/8	9.5	6	1/2-14	27	31	40
0151G08-06	1/2	12.7	8	3/8-19	22	39	42
0151G08-08	1/2	12.7	8	1/2-14	27	39	41
0151G08-10	1/2	12.7	8	5/8-14	30	40	41
0151G08-12	1/2	12.7	8	3/4-14	32	41	46
0151G10-10	5/8	15.9	10	5/8-14	30	43	43
0151G10-12	5/8	15.9	10	3/4-14	32	45	50
0151G12-12	3/4	19	12	3/4-14	32	56	57
0151G12-16	3/4	19	12	1-11	38	56	60
0151G16-16	1	25.4	16	1-11	38	70	67

0150G

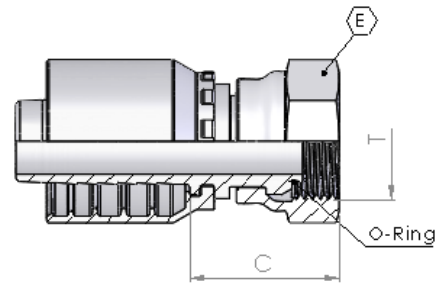


BSP 90° Swept Elbow 60° Cone - Thrust Wire Nut

Part number	Hose I.D.		Dimension				
	in	mm	dash size	thread	hex	cut-off	Drop
				T	E	C	H
0150G20-20	1.1/4	31.8	20	1.1/4-11	50	86	81
0150G24-24	1.1/2	38.1	24	1.1/2-11	55	103	95
0150G32-32	2	50.8	32	2-11	70	122	135

0041G

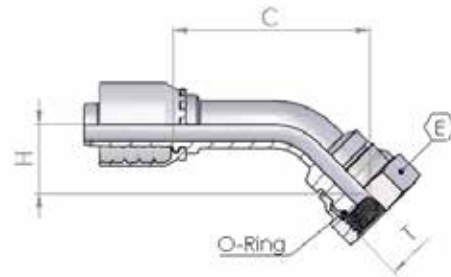
BSP O'Ring Female 60° Cone - Rolled Nut



Part number	Hose I.D.		Dimension			
	in	mm	dash size	thread	hex	cut-off
				T	E	C
0041G04-04	1/4	6.4	4	1/4-19	19	17
0041G06-06	3/8	9.5	6	3/8-19	22	19
0041G08-08	1/2	12.7	8	1/2-14	27	21
0041G10-10	5/8	15.9	10	5/8-14	30	21
0041G12-12	3/4	19	12	3/4-14	32	26
0041G16-16	1	25.4	16	1-11	38	28

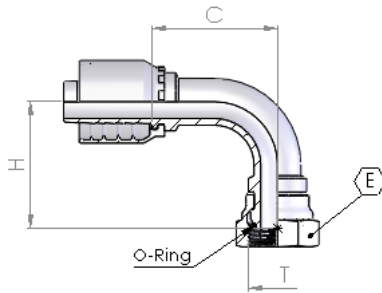
0241G

BSP O'Ring 45° Swept Elbow 60° Cone - Rolled nut



Part number	Hose I.D.		Dimension				
	in	mm	dash size	thread	hex	cut-off	Drop
				T	E	C	H
0241G04-04	1/4	6.4	4	1/4-19	19	41	15
0241G06-06	3/8	9.5	6	3/8-19	22	52	21
0241G08-08	1/2	12.7	8	1/2-14	27	63	22
0241G10-10	5/8	15.9	10	5/8-14	30	68	23
0241G12-12	3/4	19	12	3/4-14	32	88	28
0241G16-16	1	25.4	16	1-11	38	83	32

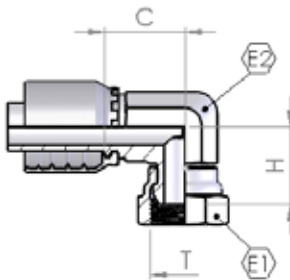
0141G



BSP O'Ring 90° Swept elbow 60° Cone - Rolled Nut

Part number	Hose I.D.		Dimension				
	in	mm	dash size	thread	hex	cut-off	Drop
				T	E	C	H
0141G04-04	1/4	6.4	4	1/4-19	19	25	27
0141G06-06	3/8	9.5	6	3/8-19	22	33	34
0141G08-08	1/2	12.7	8	1/2-14	27	41	40
0141G10-10	5/8	15.9	10	5/8-14	30	43	55
0141G12-12	3/4	19	12	3/4-14	32	56	54
0141G16-16	1	25.4	16	1-11	38	70	67

2321G

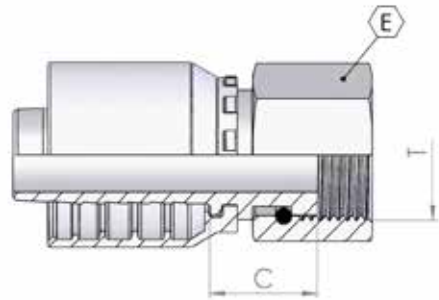


BSP 90° Compact Elbow 60° Cone - Rolled nut

Part number	Hose I.D.		Dimension					
	in	mm	dash size	thread	hex		cut-off	Drop
				T	E	E1	C	H
2321G04-04	1/4	6.4	4	1/4-19	19	15	19	20
2321G04-06	1/4	6.4	4	3/8-19	22	17	24	29
2321G05-06	5/16	7.9	5	3/8-19	22	17	24	23
2321G06-06	3/8	9.5	6	3/8-19	22	17	23	23
2321G06-08	3/8	9.5	6	1/2-14	27	19	28	26
2321G08-08	1/2	12.7	8	1/2-14	27	22	26	27
2321G12-12	3/4	19	12	3/4-14	32	27	32	32
2321G16-16	1	25.4	16	1-11	38	32	38	36

0060G

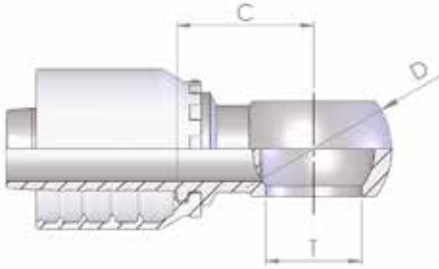
BSP Female Flat Seal



Part number	Hose I.D.		Dimension			
	in	mm	dash size	thread	hex	cut-off
				T	E	C
0060G04-04	1/4	6.4	4	1/4-19	19	14
0060G04-06	1/4	6.4	4	3/8-19	22	15
0060G05-04	5/16	7.9	5	1/4-19	19	14
0060G05-06	5/16	7.9	5	3/8-19	22	15
0060G05-08	5/16	7.9	5	1/2-14	27	17
0060G06-06	3/8	9.5	6	3/8-19	22	15
0060G06-08	3/8	9.5	6	1/2-14	27	16
0060G08-08	1/2	12.7	8	1/2-14	27	16
0060G08-10	1/2	12.7	8	5/8-14	30	16
0060G08-12	1/2	12.7	8	3/4-14	32	23
0060G10-10	5/8	15.9	10	5/8-14	30	16
0060G10-12	5/8	15.9	10	3/4-14	32	20
0060G12-12	3/4	19.0	12	3/4-14	32	21
0060G12-16	3/4	19.0	12	1-11	38	23
0060G16-16	1	25.4	16	1-11	38	22
0060G24-24	1.1/2	38.1	24	1.1/2-11	55	27

1400G

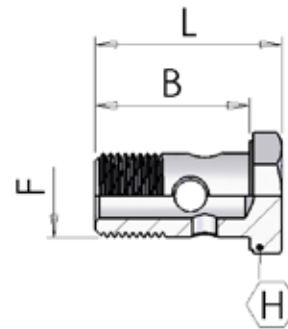
BSP Banjo



Part number	Hose I.D.		Dimension				
	in	mm	dash size	hole T	Flange mm	D Øball	cut-off C
1400G03-02	3/16	4.8	3	1/8-28	10.2	17	19
1400G03-04	3/16	4.8	3	1/4-19	13.3	24	26
1400G04-02	1/4	6.4	4	1/8-28	10.2	17	25
1400G04-04	1/4	6.4	4	1/4-19	13.3	24	26
1400G04-06	1/4	6.4	4	3/8-19	17	28	26
1400G05-04	5/16	7.9	5	1/4-19	13.3	24	26
1400G05-06	5/16	7.9	5	3/8-19	17	28	26
1400G06-04	3/8	9.5	6	1/4-19	13.3	24	26
1400G06-06	3/8	9.5	6	3/8-19	17	28	26
1400G06-08	3/8	9.5	6	1/2-14	21.2	36	31
1400G08-06	1/2	12.7	8	3/8-19	17	28	27
1400G08-08	1/2	12.7	8	1/2-14	21.2	36	31
1400G08-10	1/2	12.7	8	5/8-14	23.1	38	29
1400G08-12	1/2	12.7	8	3/4-14	26.5	45	38
1400G10-10	5/8	15.9	10	5/8-14	23.1	39	29
1400G10-12	5/8	15.9	10	3/4-14	26.5	45	38
1400G12-12	3/4	19.0	12	3/4-14	26.5	45	38
1400G12-16	3/4	19.0	12	1-11	33.5	58	49
1400G16-16	1	25.4	16	1-11	33.5	58	50

1600-00

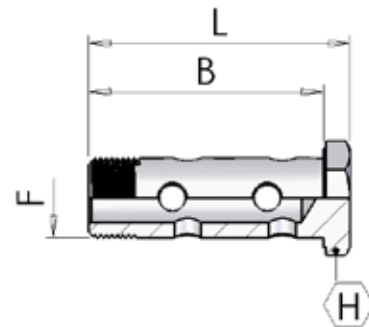
BSP perfored bolt



Part number	Dimension			
	F	B	L	Drop H
1600-00-02	1/8-28	19	24	14
1600-00-04	1/4-19	29	34	19
1600-00-06	3/8-19	33	41	22
1600-00-08	1/2-14	38	46	27
1600-00-10	5/8-14	44	54	30
1600-00-12	3/4-14	47	56	32
1600-00-16	1-11	58	69	41

1600

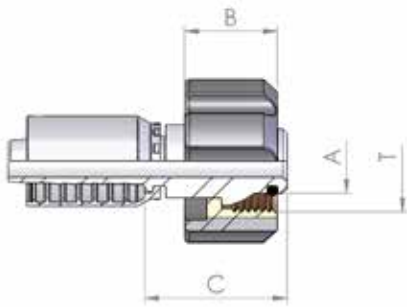
Double BSP perfored bolt



Part number	Dimension			
	F	B	L	Drop H
1600-04-04	1/4-19	43	49	19
1600-06-06	3/8-19	49	57	22
1600-08-08	1/2-14	62	70	27
1600-12-12	3/4-14	78	87	32
1600-16-16	1-11	98	109	41

FK50G

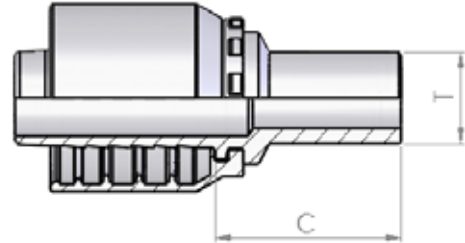
K' Female



Part number	Hose I.D.		Dimension				
	in	mm	dash size	thread	cut-off		
				T	C	A	B
FK50G04-22	1/4	6.4	4	M22-1.5	31	14	20
FK50G05-22	5/16	7.9	5	M22-1.5	31	14	20
FK50G06-22	3/8	9.5	6	M22-1.5	31	14	20
FK50G04022	1/4	6.4	4	M22-1.5	31	14	27
FK50G05022	5/16	7.9	5	M22-1.5	31	14	27
FK50G06022	3/8	9.5	6	M22-1.5	31	14	27

0550G

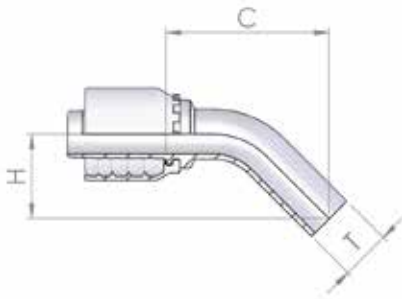
Metric Standpipe



Part number	Hose I.D.		Dimension			
	in	mm	dash size	pipe	Type	cut-off
0550G03-06	3/16	4.8	3	6	L/S	30
0550G03-08	3/16	4.8	3	8	L/S	29
0550G04-06	1/4	6.4	4	6	L/S	32
0550G04-08	1/4	6.4	4	8	L/S	30
0550G04-10	1/4	6.4	4	10	L/S	33
0550G04-12	1/4	6.4	4	12	L/S	30
0550G05-08	5/16	7.9	5	08	L/S	31
0550G05-10	5/16	7.9	5	10	L/S	31
0550G05-12	5/16	7.9	5	12	L/S	33
0550G06-08	3/8	9.5	6	08	L/S	33
0550G06-10	3/8	9.5	6	10	L/S	33
0550G06-12	3/8	9.5	6	12	L/S	32
0550G06-14	3/8	9.5	6	14	S	37
0550G06-15	3/8	9.5	6	15	L	32
0550G08-12	1/2	12.7	8	12	L/S	36
0550G08-14	1/2	12.7	8	14	S	39
0550G08-15	1/2	12.7	8	15	L	34
0550G08-16	1/2	12.7	8	16	S	39
0550G08-18	1/2	12.7	8	18	L	35
0550G08-20	1/2	12.7	8	20	S	45
0550G10-18	5/8	15.9	10	18	L	35
0550G10-20	5/8	15.9	10	20	S	45
0550G10-22	5/8	15.9	10	22	L	33
0550G12-18	3/4	19.0	12	18	L	37
0550G12-20	3/4	19.0	12	20	S	46
0550G12-22	3/4	19.0	12	22	L	38
0550G12-25	3/4	19.0	12	25	S	49
0550G12-28	3/4	19.0	12	28	L	40
0550G16-25	1	25.4	16	25	S	51
0550G16-28	1	25.4	16	28	L	41
0550G16-30	1	25.4	16	30	S	54
0550G16-38	1	25.4	16	38	S	60
0550G20-30	1.1/4	31.8	20	30	S	58
0550G20-35	1.1/4	31.8	20	35	L	48
0550G20-38	1.1/4	31.8	20	38	S	62
0550G24-38	1.1/2	38.1	24	38	S	63
0550G24-42	1.1/2	38.1	24	42	L	50

0750G

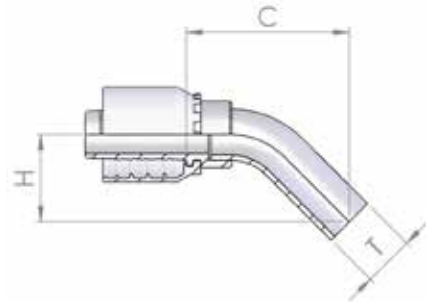
45° Metric Standpipe



Part number	Hose I.D.		Dimension				
	in	mm	dash size	pipe	Type	cut-off	Drop
				T		C	H
0750G04-06	1/4	6.4	4	6	L/S	41	24
0750G04-08	1/4	6.4	4	8	L/S	43	25
0750G04-10	1/4	6.4	4	10	L/S	47	30
0750G05-10	5/16	7.9	5	10	L/S	49	30
0750G05-12	5/16	7.9	5	12	L/S	53	32
0750G06-12	3/8	9.5	6	12	L/S	52	33

0750G

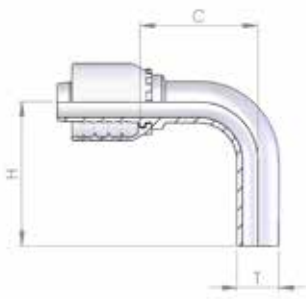
45° Metric Standpipe (Welded)



Part number	Hose I.D.		Dimension				
	in	mm	dash size	pipe	Type	cut-off	Drop
				T		C	H
0750G04-12	1/4	6.4	4	12	L/S	54	29
0750G06-14	3/8	9.5	6	14	S	50	27
0750G06-15	3/8	9.5	6	15	L	54	29
0750G08-14	1/2	12.7	8	14	S	50	27
0750G08-15	1/2	12.7	8	15	L	55	29
0750G08-16	1/2	12.7	8	16	S	54	27
0750G08-18	1/2	12.7	8	18	L	56	29
0750G10-18	5/8	15.9	10	18	L	56	29
0750G10-20	5/8	15.9	10	20	S	56	34
0750G10-22	5/8	15.9	10	22	L	66	35
0750G12-20	3/4	19.0	12	20	S	63	34
0750G12-22	3/4	19.0	12	22	L	65	35
0750G12-25	3/4	19.0	12	25	S	76	41
0750G16-25	1	25.4	16	25	S	76	41
0750G16-28	1	25.4	16	28	L	84	49
0750G16-30	1	25.4	16	30	S	86	44
0750G20-30	1.1/4	31.8	20	30	S	88	44
0750G20-35	1.1/4	31.8	20	35	L	94	47
0750G20-38	1.1/4	31.8	20	38	S	101	50
0750G24-38	1.1/2	38.1	24	38	S	100	50
0750G24-42	1.1/2	38.1	24	42	L	114	55

0650G

90° Metric Standpipe



Part number	Hose I.D.		Dimension				
	in	mm	dash size	pipe	Type	cut-off	Drop
				T		C	H
0650G03-06	3/16	4.8	3	6	L/S	20	32
0650G04-06	1/4	6.4	4	6	L/S	23	32
0650G04-08	1/4	6.4	4	8	L/S	25	34
0650G04-10	1/4	6.4	4	10	L/S	25	43
0650G05-10	5/16	7.9	5	10	L/S	29	40
0650G05-12	5/16	7.9	5	12	L/S	29	45
0650G06-10	3/8	9.5	6	10	L/S	27	40
0650G06-12	3/8	9.5	6	12	L/S	30	44

0650G

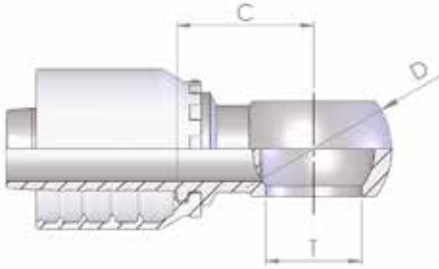
90° Metric Standpipe (welded)



Part number	Hose I.D.		Dimension				
	in	mm	dash size	pipe	Type	cut-off	Drop
				T		C	H
0650G06-15	3/8	9.5	6	15	L	39	52
0650G03-08	3/16	4.8	3	8	L/S	25	41
0650G04-12	1/4	6.4	4	12	L/S	35	44
0650G05-08	5/16	7.9	5	8	L/S	27	41
0650G06-14	3/8	9.5	6	14	S	36	46
0650G08-12	1/2	12.7	8	12	L/S	33	44
0650G08-14	1/2	12.7	8	14	S	36	46
0650G08-15	1/2	12.7	8	15	L	39	52
0650G08-16	1/2	12.7	8	16	S	42	56
0650G08-18	1/2	12.7	8	18	L	42	56
0650G10-18	5/8	15.9	10	18	L	42	56
0650G10-20	5/8	15.9	10	20	S	48	65
0650G10-22	5/8	15.9	10	22	L	51	71
0650G12-20	3/4	19.0	12	20	S	48	65
0650G12-22	3/4	19.0	12	22	L	51	71
0650G12-25	3/4	19.0	12	25	S	57	75
0650G16-25	1	25.4	16	25	S	57	75
0650G16-28	1	25.4	16	28	L	60	89
0650G16-30	1	25.4	16	30	S	65	89
0650G20-30	1.1/4	31.8	20	30	S	66	89
0650G20-35	1.1/4	31.8	20	35	L	76	98
0650G20-38	1.1/4	31.8	20	38	S	83	102
0650G24-38	1.1/2	38.1	24	38	S	82	102
0650G24-42	1.1/2	38.1	24	42	L	106	125

1350G

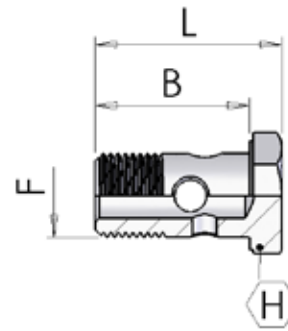
Metric Banjo



Part number	Hose I.D.		Dimension				
	in	mm	dash size	hole T	Flange mm	D Øball	cut-off C
1350G03-10	3/16	4.8	3	M10-1	10.2	17	25
1350G03-12	3/16	4.8	3	M12-1.5	12.2	20	21
1350G04-10	1/4	6.4	4	M10-1	10.2	17	25
1350G04-12	1/4	6.4	4	M12-1.5	12.2	20	22
1350G04-14	1/4	6.4	4	M14-1.5	14.2	24	25
1350G05-14	5/16	7.9	5	M14-1.5	14.2	24	25
1350G05-16	5/16	7.9	5	M16-1.5	16.2	28	31
1350G05-18	5/16	7.9	5	M18-1.5	18.2	32	29
1350G06-14	3/8	9.5	6	M14-1.5	14.2	24	25
1350G06-16	3/8	9.5	6	M16-1.5	16.2	28	31
1350G06-18	3/8	9.5	6	M18-1.5	18.2	32	29
1350G06-22	3/8	9.5	6	M22-1.5	22.2	36	31
1350G08-16	1/2	12.7	8	M16-1.5	16.2	28	30
1350G08-18	1/2	12.7	8	M18-1.5	18.2	32	29
1350G08-22	1/2	12.7	8	M22-1.5	22.2	36	31
1350G10-22	5/8	15.9	10	M22-1.5	22.2	36	31
1350G10-26	5/8	15.9	10	M26-1.5	26.2	45	38
1350G12-22	3/4	19.0	12	M22-1.5	22.2	36	32

1650

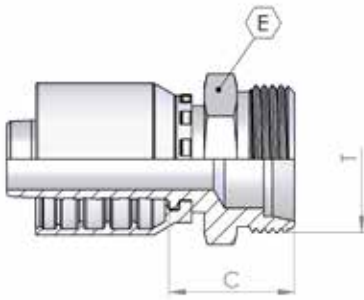
Metric perfored bolt



Part number	Dimension			
	F	B	L	Drop H
1650-00-10	M10-1	19	24	14
1650-00-12	M12-1.5	26	31	17
1650-00-14	M14-1.5	29	34	19
1650-00-16	M16-1.5	33	41	22
1650-00-18	M18-1.5	37	44	24
1650-00-20	M20-1.5	38	46	27
1650-00-22	M22-1.5	38	46	27
1650-00-26	M26-1.5	47	56	32
1650-00-30	M30-1.5	58	68	36

0500G

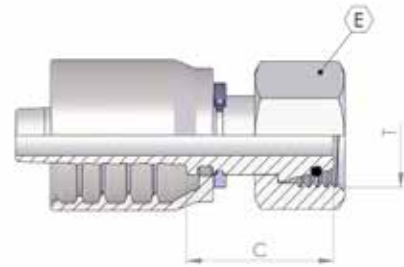
Metric Male 24° - Seat Light



Part number	Hose I.D.		Dimension				
	in	mm	dash size	thread	erm	hex	cut-off
				T		E	C
0500G03-12	3/16	4.8	3	M12-1.5	6	14	22
0500G04-12	1/4	6.4	4	M12-1.5	6	14	23
0500G04-14	1/4	6.4	4	M14-1.5	8	14	22
0500G04-16	1/4	6.4	4	M16-1.5	10	17	23
0500G04-18	1/4	6.4	4	M18-1.5	12	19	24
0500G05-14	5/16	7.9	5	M14-1.5	8	14	22
0500G05-16	5/16	7.9	5	M16-1.5	10	17	23
0500G05-18	5/16	7.9	5	M18-1.5	12	19	24
0500G05-22	5/16	7.9	5	M22-1.5	15	22	25
0500G06-16	3/8	9.5	6	M16-1.5	10	17	23
0500G06-18	3/8	9.5	6	M18-1.5	12	19	24
0500G06-22	3/8	9.5	6	M22-1.5	15	22	25
0500G08-18	1/2	12.7	8	M18-1.5	12	19	25
0500G08-22	1/2	12.7	8	M22-1.5	15	22	26
0500G08-26	1/2	12.7	8	M26-1.5	18	27	27
0500G10-22	5/8	15.9	10	M22-1.5	15	22	26
0500G10-26	5/8	15.9	10	M26-1.5	18	27	27
0500G10-30	5/8	15.9	10	M30-2	22	30	32
0500G12-26	3/4	19.0	12	M26-1.5	18	27	28
0500G12-30	3/4	19.0	12	M30-2	22	30	33
0500G16-36	1	25.4	16	M36-2	28	36	32
0500G20-45	1.1/4	31.8	20	M45-2	35	46	36
0500G24-52	1.1/2	38.1	24	M52-2	42	55	38

0085G

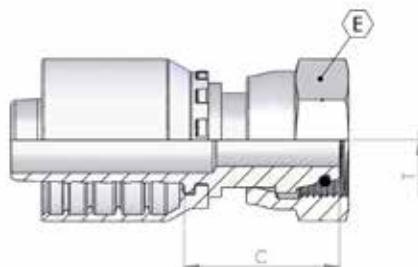
Metric Female 24° - Seat Light



Part number	Hose I.D.		Dimension				
	in	mm	dash size	thread	erm	hex	cut-off
				T		E	C
0085G03-12	3/16	4.8	3	M12-1.5	6	14	23
0085G04-14	1/4	6.4	4	M14-1.5	8	17	24
0085G04-16	1/4	6.4	4	M16-1.5	10	19	24
0085G04-18	1/4	6.4	4	M18-1.5	12	22	25
0085G05-16	5/16	7.9	5	M16-1.5	10	19	24
0085G05-18	5/16	7.9	5	M18-1.5	12	22	25
0085G06-18	3/8	9.5	6	M18-1.5	12	22	25
0085G06-22	3/8	9.5	6	M22-1.5	15	27	29
0085G08-22	1/2	12.7	8	M22-1.5	15	27	29
0085G08-26	1/2	12.7	8	M26-1.5	18	32	29
0085G10-26	5/8	15.9	10	M26-1.5	18	32	29
0085G10-30	5/8	15.9	12	M30-2	22	36	29
0085G12-30	3/4	19.0	12	M30-2	22	36	29
0085G12-36	3/4	19.0	12	M36-2	28	41	28
0085G16-36	1	25.4	16	M36-2	28	41	30
0085G20-45	1.1/4	31.8	20	M45-2	35	50	40
0085G24-52	1.1/2	38.1	24	M52-2	42	60	41

0085G

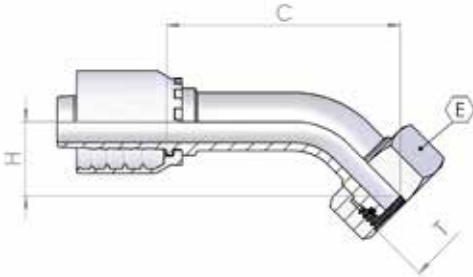
Metric Female 24° - Seat Light (rolled nut)



Part number	Hose I.D.		Dimension				
	in	mm	dash size	thread	erm	hex	cut-off
				T		E	C
0085G-04-12	1/4	6.4	4	M12-1.5	6	14	25
0085G-05-14	5/16	7.9	5	M14-1.5	8	19	26
0085G-06-16	3/8	9.5	6	M16-1.5	10	19	25
0085G-08-18	1/2	12.7	8	M18-1.5	12	24	28
0085G-10-22	5/8	15.9	10	M22-1.5	15	27	32
0085G-12-26	3/4	19.0	12	M26-1.5	18	32	36

0285G

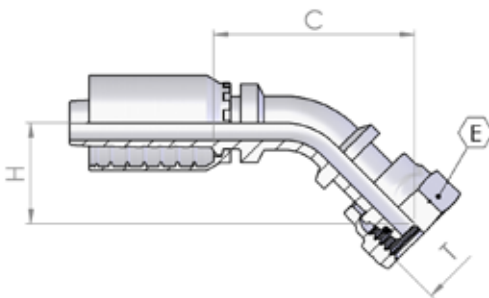
45° Metric Swept Elbow 24° - Seat Light



Part number	Hose I.D.		Dimension					
	in	mm	dash size	thread	erm	hex	cut-off	Drop
				T		E	C	H
0285G03-12	3/16	4.8	3	M12-1.5	6	14	36	14
0285G04-14	1/4	6.4	4	M14-1.5	8	17	42	14
0285G04-16	1/4	6.4	4	M16-1.5	10	19	42	15
0285G04-18	1/4	6.4	4	M18-1.5	12	22	43	16
0285G05-16	5/16	7.9	5	M16-1.5	10	19	48	17
0285G05-18	5/16	7.9	5	M18-1.5	12	22	48	18
0285G06-18	3/8	9.5	6	M18-1.5	12	22	52	19
0285G06-22	3/8	9.5	6	M22-1.5	15	27	51	19
0285G08-22	1/2	12.7	8	M22-1.5	15	27	63	21
0285G08-26	1/2	12.7	8	M26-1.5	18	32	44	17
0285G10-26	5/8	15.9	10	M26-1.5	18	32	68	23
0285G12-26	3/4	19.0	12	M26-1.5	18	32	43	19
0285G12-30	3/4	19.0	12	M30-2	22	36	85	27
0285G16-36	1	25.4	16	M36-2	28	41	102	32
0285G20-45	1.1/4	31.8	20	M45-2	35	50	72	34
0285G24-52	1.1/2	38.1	24	M52-2	42	60	85	36

0285G

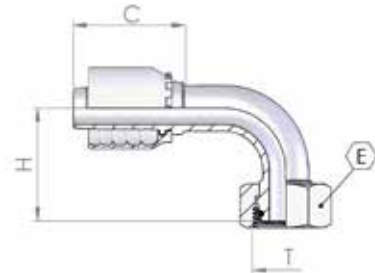
45° Metric Swept Elbow 24° - Seat Light (rolled nut)



Part number	Hose I.D.		Dimension					
	in	mm	dash size	thread	erm	hex	cut-off	Drop
				T		E	C	H
0285G04-12	1/4	6.4	4	M12-1.5	6	14	46	20
0285G06-16	3/8	9.5	6	M16-1.5	10	19	55	22

0185G

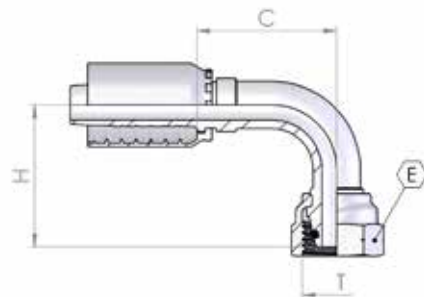
90° Metric Swept Elbow 24° - Seat Light



Part number	Hose I.D.		Dimension					
	in	mm	dash size	thread	erm	hex	cut-off	Drop
				T		E	C	H
0185G03-12	3/16	4.8	3	M12-1.5	6	14	22	23
0185G04-14	1/4	6.4	4	M14-1.5	8	17	26	26
0185G04-16	1/4	6.4	4	M16-1.5	10	19	25	27
0185G04-18	1/4	6.4	4	M18-1.5	12	22	27	30
0185G05-16	5/16	7.9	5	M16-1.5	10	19	31	31
0185G05-18	5/16	7.9	5	M18-1.5	12	22	31	32
0185G06-18	3/8	9.5	6	M18-1.5	12	22	32	35
0185G06-22	3/8	9.5	6	M22-1.5	15	27	32	35
0185G08-22	1/2	12.7	8	M22-1.5	15	27	41	38
0185G08-26	1/2	12.7	8	M26-1.5	18	32	41	39
0185G10-26	5/8	15.9	10	M26-1.5	18	32	44	44
0185G12-26	3/4	19.0	12	M26-1.5	18	32	42	44
0185G12-30	3/4	19.0	12	M30-2	22	36	58	52
0185G12-36	3/4	19.0	12	M36-2	28	41	49	51
0185G16-36	1	25.4	16	M36-2	28	41	72	62
0185G20-45	1.1/4	31.8	20	M45-2	35	50	63	73
0185G24-52	1.1/2	38.1	24	M52-2	42	60	81	83

0185G

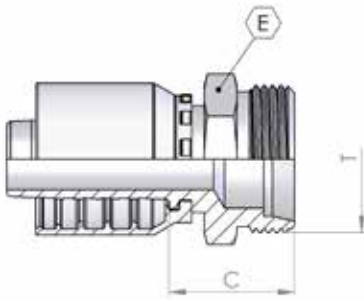
90° Metric Swept Elbow 24° - Seat Light (rolled nut)



Part number	Hose I.D.		Dimension					
	in	mm	dash size	thread	erm	hex	cut-off	Drop
				T		E	C	H
0185G04-12	1/4	6.4	4	M12-1.5	6	14	26	34
0185G05-14	5/16	7.9	5	M14-1.5	8	17	30	38
0185G06-16	3/8	9.5	6	M16-1.5	10	19	32	39
0185G08-18	1/2	12.7	8	M18-1.5	12	22	33	48
0185G10-22	5/8	15.9	8	M22-1.5	15	27	42	55

0450G

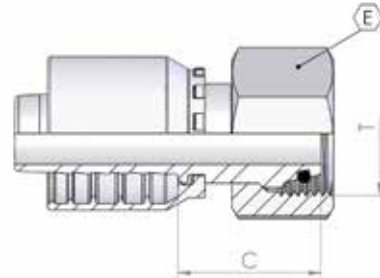
Metric Male 24° - Seat Heavy



Part number	Hose I.D.		Dimension				
	in	mm	dash size	thread	erm	hex	cut-off
				T		E	C
0450G03-16	3/16	4.8	3	M16-1.5	8	17	26
0450G04-14	1/4	6.4	4	M14-1.5	6	14	25
0450G04-16	1/4	6.4	4	M16-1.5	8	17	27
0450G04-18	1/4	6.4	4	M18-1.5	10	19	27
0450G05-18	5/16	7.9	5	M18-1.5	10	19	27
0450G05-20	5/16	7.9	5	M20-1.5	12	22	29
0450G06-18	3/8	9.5	6	M18-1.5	10	19	27
0450G06-20	3/8	9.5	6	M20-1.5	12	22	29
0450G06-22	3/8	9.5	6	M22-1.5	14	22	31
0450G06-24	3/8	9.5	6	M24-1.5	16	24	31
0450G08-24	1/2	12.7	8	M24-1.5	16	24	32
0450G10-30	5/8	15.9	10	M30-2	20	30	34
0450G12-30	3/4	19.0	12	M30-2	20	30	35
0450G12-36	3/4	19.0	12	M36-2	25	36	38
0450G16-36	1	25.4	16	M36-2	25	36	39
0450G16-42	1	25.4	16	M42-2	30	46	42
0450G20-42	1.1/4	31.8	20	M42-2	30	46	43
0450G20-52	1.1/4	31.8	20	M52-2	38	55	45
0450G24-52	1.1/2	38.1	24	M52-2	38	55	45

0084G

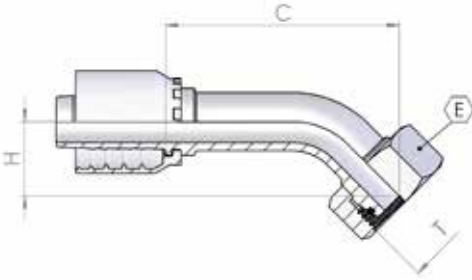
Metric Female 24° - Seat Heavy



Part number	Hose I.D.		Dimension				
	in	mm	dash size	thread	erm	hex	cut-off
				T		E	C
0084G03-16	3/16	4.8	3	M16-1.5	8	19	25
0084G04-14	1/4	6.4	4	M14-1.5	6	17	23
0084G04-16	1/4	6.4	4	M16-1.5	8	19	25
0084G04-18	1/4	6.4	4	M18-1.5	10	22	24
0084G05-18	5/16	7.9	5	M18-1.5	10	22	24
0084G05-20	5/16	7.9	5	M20-1.5	12	24	26
0084G06-16	3/8	9.5	6	M16-1.5	8	19	26
0084G06-18	3/8	9.5	6	M18-1.5	10	22	25
0084G06-20	3/8	9.5	6	M20-1.5	12	24	25
0084G06-22	3/8	9.5	6	M22-1.5	14	27	29
0084G08-22	1/2	12.7	8	M22-1.5	14	27	17
0084G08-24	1/2	12.7	8	M24-1.5	16	30	30
0084G08-30	1/2	12.7	8	M30-2	20	36	33
0084G10-24	5/8	15.9	10	M24-1.5	16	30	31
0084G10-30	5/8	15.9	10	M30-2	20	36	33
0084G12-30	3/4	19.0	12	M30-2	20	36	34
0084G12-36	3/4	19.0	12	M36-2	25	46	40
0084G16-36	1	25.4	16	M36-2	25	46	41
0084G16-42	1	25.4	16	M42-2	30	50	43
0084G20-52	1.1/4	31.8	20	M52-2	38	60	44
0084G24-52	1.1/2	38.1	24	M52-2	38	60	44

0284G

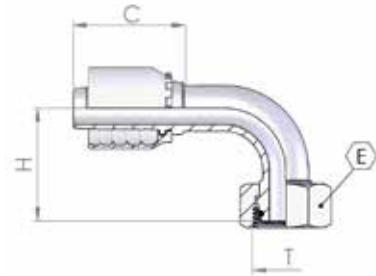
45° Metric Swept Elbow 24° - Seat Heavy



Part number	Hose I.D.		Dimension					
	in	mm	dash size	thread	erm	hex	cut-off	Drop
				T		E	C	H
0284G03-16	3/16	4.8	3	M16-1.5	8	19	36	16
0284G04-14	1/4	6.4	4	M14-1.5	6	17	37	15
0284G04-16	1/4	6.4	4	M16-1.5	8	19	42	15
0284G04-18	1/4	6.4	4	M18-1.5	10	22	45	18
0284G05-20	5/16	7.9	5	M20-1.5	12	24	49	19
0284G06-18	3/8	9.5	6	M18-1.5	10	22	51	19
0284G06-20	3/8	9.5	6	M20-1.5	12	24	53	18
0284G06-22	3/8	9.5	6	M22-1.5	14	27	54	20
0284G08-24	1/2	12.7	8	M24-1.5	16	30	63	21
0284G10-30	5/8	15.9	10	M30-2	20	36	74	29
0284G12-30	3/4	19.0	12	M30-2	20	36	87	30
0284G12-36	3/4	19.0	12	M36-2	25	46	56	31
0284G16-36	1	25.4	16	M36-2	25	46	105	34
0284G16-42	1	25.4	16	M42-2	30	50	82	33
0284G20-52	1.1/4	31.8	20	M52-2	38	60	105	39
0284G24-52	1.1/2	38.1	24	M52-2	38	60	157	52

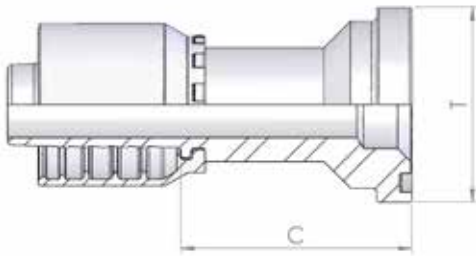
0184G

90° Metric Swept Elbow 24° - Seat Heavy



Part number	Hose I.D.		Dimension					
	in	mm	dash size	thread	erm	hex	cut-off	Drop
				T		E	C	H
0184G03-16	3/16	4.8	3	M16-1.5	8	19	22	25
0184G04-14	1/4	6.4	4	M14-1.5	6	17	27	26
0184G04-16	1/4	6.4	4	M16-1.5	8	19	26	26
0184G04-18	1/4	6.4	4	M18-1.5	10	22	27	31
0184G04-20	1/4	6.4	4	M20-1.5	12	24	27	30
0184G05-18	5/16	7.9	5	M18-1.5	10	22	33	33
0184G05-20	5/16	7.9	5	M20-1.5	12	24	30	34
0184G06-18	3/8	9.5	6	M18-1.5	10	22	34	35
0184G06-20	3/8	9.5	6	M20-1.5	12	24	34	34
0184G06-22	3/8	9.5	6	M22-1.5	14	27	33	33
0184G08-24	1/2	12.7	8	M24-1.5	16	30	40	41
0184G10-24	5/8	15.9	10	M24-1.5	16	30	42	60
0184G10-30	5/8	15.9	10	M30-2	20	36	46	50
0184G12-30	3/4	19.0	12	M30-2	20	36	58	56
0184G12-36	3/4	19.0	12	M36-2	25	46	56	59
0184G16-36	1	25.4	16	M36-2	25	46	69	67
0184G16-42	1	25.4	16	M42-2	30	50	69	67
0184G20-52	1.1/4	31.8	20	M52-2	38	60	84	82
0184G24-52	1.1/2	38.1	24	M52-2	38	60	99	94

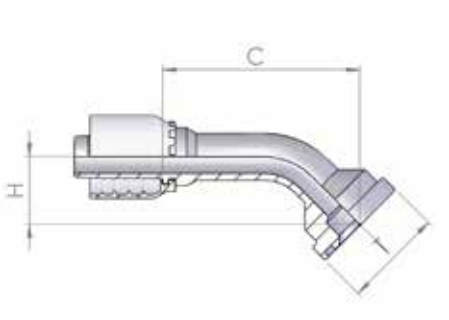
1260G



Straight SAE Flange 3000 PSI

Part number	Hose I.D.		Dimension		
	in	mm	dash size	Flange mm	cut-off C
1260G08-08	1/2	12.7	8	30,2	45
1260G08-12	1/2	12.7	8	38.1	50
1260G10-08	5/8	15.9	10	30,2	45
1260G10-12	5/8	15.9	10	38.1	49
1260G12-12	3/4	19	12	38.1	50
1260G12-16	3/4	19	12	44.5	53
1260G16-16	1	25.4	16	44.5	54
1260G16-20	1	25.4	16	50.8	57
1260G20-20	1.1/4	31.8	20	50.8	59
1260G20-24	1.1/4	31.8	20	60.3	62
1260G24-24	1.1/2	38.1	24	60.3	62
1260G24-32	1.1/2	38.1	24	71.4	67
1260G32-32	2	50.8	32	71.4	68
1260G32-40	2	50.8	32	84.1	76

1160G

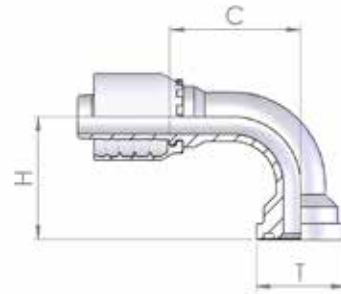


45° SAE Flange 3000 PSI

Part number	Hose I.D.		Dimension			
	in	mm	dash size	Flange mm	cut-off C	Drop H
1160G08-08	1/2	12.7	8	30.2	62	22
1160G08-12	1/2	12.7	8	38.1	67	25
1160G12-12	3/4	19	12	38.1	69	27
1160G12-16	3/4	19	12	44.5	88	30
1160G16-16	1	25.4	16	44.5	82	33
1160G20-20	1.1/4	31.8	20	50.8	102	38
1160G20-24	1.1/4	31.8	20	60.3	129	39
1160G24-24	1.1/2	38.1	24	60.3	114	44
1160G24-32	1.1/2	38.1	24	71.4	148	47
1160G32-32	2	50.8	32	71.4	130	58

1060G

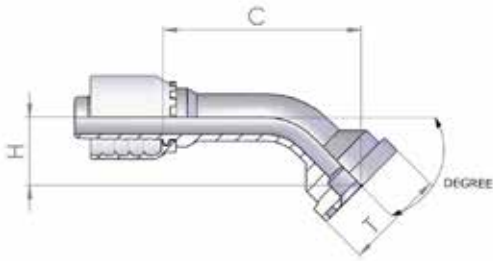
90° SAE Flange 3000 PSI



Part number	Hose I.D.		Dimension			
	in	mm	dash size	Flange mm	cut-off C	Drop H
1060G08-08	1/2	12.7	8	30,2	39	39
1060G08-12	1/2	12.7	8	38.1	39	44
1060G10-08	5/8	15.9	10	30,2	45	42
1060G10-12	5/8	15.9	10	38.1	45	47
1060G12-12	3/4	19	12	38.1	56	53
1060G12-16	3/4	19	12	44.5	56	58
1060G16-16	1	25.4	16	44.5	70	65
1060G16-20	1	25.4	16	50.8	70	70
1060G16-24	1	25.4	16	60.3	72	71
1060G20-16	1.1/4	31.8	20	44.5	81	77
1060G20-20	1.1/4	31.8	20	50.8	86	77
1060G20-24	1.1/4	31.8	20	60.3	85	81
1060G24-24	1.1/2	38.1	24	60.3	98	89
1060G24-32	1.1/2	38.1	24	71.4	93	97
1060G32-32	2	50.8	32	71.4	123	121

1060G

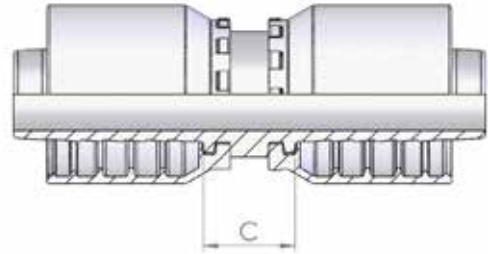
22.5°/30°/60°/67.5° SAE Flange 3000 PSI



Part number	Hose I.D.		dash size	Dimension			Degree
	in	mm		Flange	cut-off	Drop	
				mm	C	H	
1060G12-12 22.5	3/4	19	12	38.1	76	11	22.5°
1060G16-16 22.5	1	25.4	16	44.5	89	14	22.5°
1060G20-20 22.5	1.1/4	31.8	20	50.8	111	14	22.5°
1060G24-24 22.5	1.1/2	38.1	24	60.3	124	17	22.5°
1060G32-32 22.5	2	50.8	32	71.4	144	28	22.5°
1060G12-12 30	3/4	19	12	38.1	75	16	30°
1060G16-16 30	1	25.4	16	44.5	87	19	30°
1060G20-20 30	1.1/4	31.8	20	50.8	109	26	30°
1060G24-24 30	1.1/2	38.1	24	60.3	122	23	30°
1060G32-32 30	2	50.8	32	71.4	142	35	30°
1060G12-12 60	3/4	19	12	38.1	76	36	60°
1060G16-16 60	1	25.4	16	44.5	95	43	60°
1060G20-20 60	1.1/4	31.8	20	50.8	116	49	60°
1060G24-24 60	1.1/2	38.1	24	60.3	138	55	60°
1060G32-32 60	2	50.8	32	71.4	170	80	60°
1060G12-12 67.5	3/4	19	12	38.1	72	41	67.5°
1060G16-16 67.5	1	25.4	16	44.5	91	48	67.5°
1060G20-20 67.5	1.1/4	31.8	20	50.8	110	56	67.5°
1060G24-24 67.5	1.1/2	38.1	24	60.3	131	63	67.5°
1060G32-32 67.5	2	50.8	32	71.4	158	92	67.5°

D050G

Hose Junction



Part number	Hose I.D.		Dimension	
	in	mm	dash size	cut-off C
D050G03	3/16	4.8	3	17
D050G04	1/4	6.4	4	17
D050G05	5/16	7.9	5	17
D050G06	3/8	9.5	6	17
D050G08	1/2	12.7	8	18
D050G10	5/8	15.9	10	18
D050G12	3/4	19.0	12	19
D050G16	1	25.4	16	21
D050G20	1.1/4	31.8	20	24
D050G24	1.1/2	38.1	24	24
D050G32	2	50.8	32	26



Section Index

0370X, 0850X.....	56
0900X, 1000X.....	57
0950X, S350X.....	58
S05TX, S205X.....	59
S150X, 0385X.....	60
0940X, K05BX.....	61
0360X.....	62
0350X.....	63
0050X, 0250X.....	64
0150X, 0500X.....	65
0085X, 0085XR.....	66
0285X, 0185X.....	67
0450X, 0084X.....	68
0284X, 0184X.....	69
1250X, 1150X.....	70
1050X.....	71
1050X.....	72
1300X, 1200X.....	73
1100X.....	74
1305X, 1205X.....	75
1105X.....	76



0370X



NPTF Male 60° Cone

56



0850X



JIC Male 74° Cone

56

0900X



JIC Female 74° Cone

57

1000X



JIC 45° Swept Elbow
74° Cone

57

0950X



JIC 90° Swept Elbow
74° Cone

58



S350X



ORFS Male

58

S05TX



ORFS Female Back
Hexagon

59

S250X



ORFS 45° Swept
Elbow

59

S150X



ORFS 90° Swept
Elbow

60



0385X



SAE Male O'R Flat
Seat

60



0940X



JIS Female 60° Cone
(Komatsu)

61



K05BX



Kobelco Male

61



0360X



BSP Taper Male 60°
Cone

62

0350X



BSP Male Parallel 60°
Cone

63

0050X



BSP Female 60° Cone
Thrust Wire

64

0250X



BSP 45° Swept Elbow
60° Cone

64

0150X



BSP 90° Swept elbow
60° Cone

65



0500X



Metric Male 24° Seat Light

65

0085X



Metric Female 24° Seat Light

66

0085XR



Metric Female 24° Seat Light (rolled nut)

66

0285X



45° Metric Swept Elbow 24° Seat Light

67

0185X



90° Metric Swept Elbow 24° Seat Light

67



0450X



Metric Male 24° Seat Heavy

68

0084X



Metric Female 24° Seat Heavy

68

0284X



45° Metric Swept Elbow 24° Seat Heavy

69

0184X



90° Metric Swept Elbow 24° Seat Heavy

69



1250X



Straight SAE Flange 3000 PSI

70

1150X



45° SAE Flange 3000 PSI

70

1050X



90° SAE Flange 3000 PSI

71

1050X



22.5°/30°/60°/67.5° SAE Flange 3000 PSI

72



1300X



Straight SAE Flange 6000 PSI

73

1200X



45° SAE Flange 6000 PSI

73

1100X



90° SAE Flange 6000 PSI

74

1100X



60° SAE Flange 6000 PSI

74



130SX



Straight 'CAT' Flange

75

120SX



45° 'CAT' Flange

75

110SX

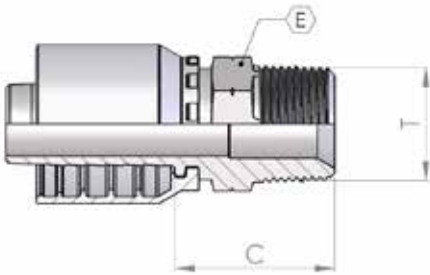


90° 'CAT' Flange

76

Dimensions and general characteristics may be changed at any time, data contained here in are only for information purpose only and it does not enlarge, amend or imply any warranty other than provided by us with the product. Any use of the product not in conformance with our instructions may be dangerous.

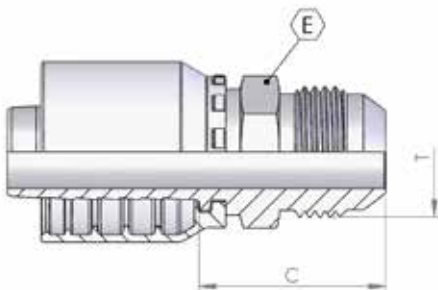
0370X



NPTF Male 60° Cone

Part number	Hose I.D.		Dimension			
	in	mm	dash size	thread	hex	cut-off
				T	E	C
0370X12-12	3/4	19	12	3/4-14	27	39
0370X16-16	1	25.4	16	1-11.1/2	36	46
0370X20-16	1.1/4	31.8	20	1-11.1/2	41	45
0370X20-20	1.1/4	31.8	20	1.1/4-11.1/2	46	47
0370X24-24	1.1/2	38.1	24	1.1/2-11.1/2	50	49
0370X32-32	2	50.8	32	2-11.1/2	65	64

0850X

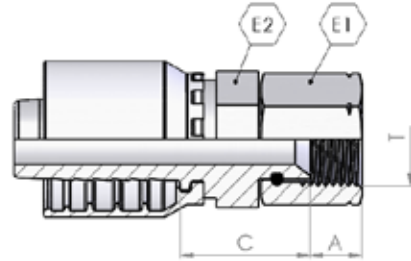


JIC Male 74° Cone

Part number	Hose I.D.		Dimension			
	in	mm	dash size	thread	hex	cut-off
				T	E	C
0850X12-10	3/4	19	12	7/8-14	24	38
0850X12-12	3/4	19	12	1.1/16-12	27	40
0850X12-14	3/4	19	12	1.3/16-12	32	45
0850X12-16	3/4	19	12	1.5/16-12	34	44
0850X12-20	3/4	19	12	1.5/8-12	42	47
0850X16-12	1	25.4	16	1.1/16-12	27	41
0850X16-14	1	25.4	16	1.3/16-12	32	44
0850X16-16	1	25.4	16	1.5/16-12	34	45
0850X16-20	1	25.4	16	1.5/8-12	42	48
0850X20-20	1.1/4	31.8	20	1.5/8-12	42	47
0850X20-24	1.1/4	31.8	20	1.7/8-12	50	52
0850X24-24	1.1/2	38.1	24	1.7/8-12	50	52
0850X32-32	2	50.8	32	2.1/2-12	65	72

0900X

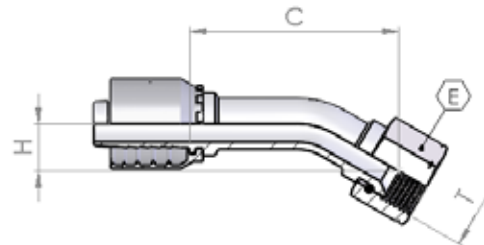
JIC Female 74° Cone



Part number	Hose I.D.		Dimension					
	in	mm	dash size	thread	hex		cut-off	
				T	E1	E2	C	A
0900X12-12	3/4	19	12	1.1/16-12	32	27	32	13.5
0900X16-16	1	25.4	16	1.5/16-12	38	36	33	15.5
0900X20-20	1	31.8	20	1.5/8-12	50	42	40	16.5
0900X20-24	1.1/4	31.8	20	1.7/8-12	55	42	43	19
0900X24-24	1.1/4	38.1	24	1.7/8-12	55	50	44	19
0900X32-32	2	50.8	32	2.1/2-12	70	65	58	20

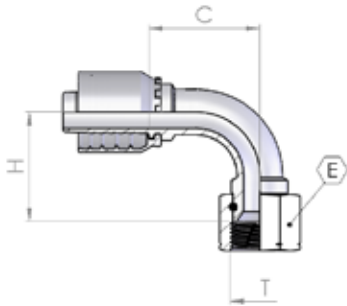
1000X

JIC 45° Swept Elbow 74° Cone



Part number	Hose I.D.		Dimension				
	in	mm	dash size	thread	hex	cut-off	Drop
				T	E	C	H
1000X12-12	3/4	19	12	1.1/16-12	32	85	28
1000X16-16	1	25.4	16	1.5/16-12	41	109	36
1000X20-20	1.1/4	31.8	20	1.5/8-12	50	108	40
1000X20-24	1.1/4	31.8	20	1.7/8-12	55	89	39
1000X24-24	1.1/2	38.1	24	1.7/8-12	55	174	47
1000X32-32	2	50.8	32	2.1/2-12	70	155	65

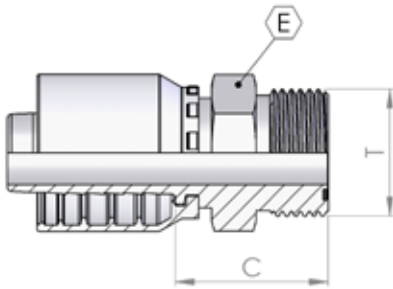
0950X



JIC 90° Swept Elbow 74° Cone

Part number	Hose I.D.		Dimension				
	in	mm	dash size	thread	hex	cut-off	Drop
				T	E	C	H
0950X12-12	3/4	19	12	1.1/16-12	32	58	54
0950X16-16	1	25.4	16	1.5/16-12	41	72	68
0950X20-20	1.1/4	31.8	20	1.5/8-12	50	103	81
0950X24-24	1.1/2	38.1	24	1.7/8-12	55	120	95
0950X32-32	2	50.8	32	2.1/2-12	70	139	133

S350X

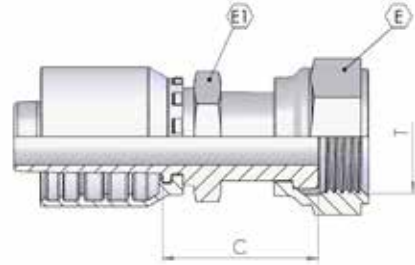


ORFS Male

Part number	Hose I.D.		Dimension			
	in	mm	dash size	thread	hex	cut-off
				T	E	C
S350X12-14	3/4	19	12	1.3/16-12	32	36
S350X12-15	3/4	19	12	1.7/16-12	38	36
S350X16-15	1	25.4	16	1.7/16-12	38	37
S350X16-21	1	25.4	16	1.11/16-12	46	38
S350X20-21	1.1/4	31.8	20	1.11/16-12	46	39
S350X24-32	1.1/2	38.1	24	2-12	55	43

S05TX

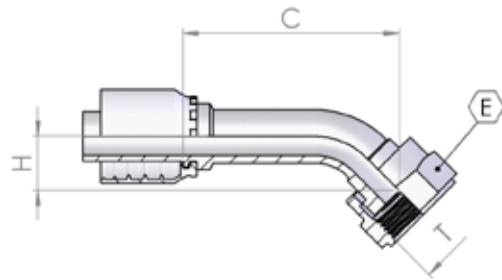
ORFS Female Back Hexagon



Part number	Hose I.D.		Dimension				
	in	mm	dash size	thread	hex		cut-off
				T	E	E1	C
S05TX12-14	3/4	19	12	1.3/16-12	36	3030	44
S05TX16-15	1	25.4	16	1.7/16-12	41	3636	52
S05TX20-21	1.1/4	31.8	20	1.11/16-12	46	5050	52.5
S05TX24-32	1.1/2	38.1	24	2-12	50	6060	55.5

S250X

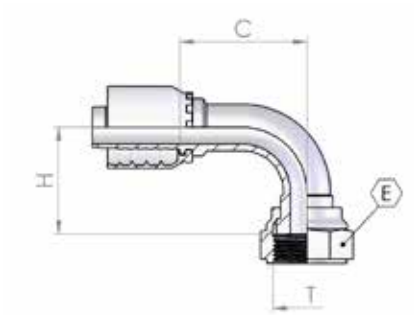
ORFS 45° Swept Elbow



Part number	Hose I.D.		Dimension				
	in	mm	dash size	thread	hex	cut-off	Drop
				T	E	C	H
S250X12-13	3/4	19	12	1-14	30	42	15
S250X12-14	3/4	19	12	1.3/16-12	36	86	23
S250X12-15	3/4	19	12	1.7/16-12	41	86	26
S250X16-15	1	25.4	16	1.7/16-12	41	102	31
S250X20-21	1.1/4	31.8	20	1.11/16-12	50	137	37
S250X24-32	1.1/2	38.1	24	2.1/2-12	60	159	46

S150X

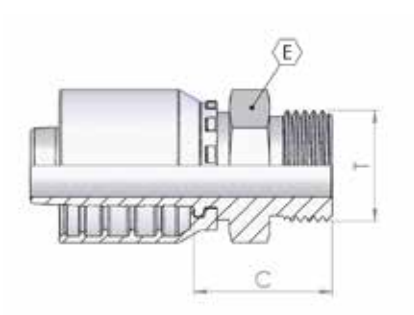
ORFS 90° Swept Elbow



Part number	Hose I.D.		Dimension				
	in	mm	dash size	thread	hex	cut-off	Drop
				T	E	C	H
S150X12-13	3/4	19	12	1-14	30	44	39
S150X12-14	3/4	19	12	1.3/16-12	36	59	49
S150X12-15	3/4	19	12	1.7/16-12	41	58	51
S150X16-15	1	25.4	16	1.7/16-12	41	69	62
S150X16-21	1	25.4	20	1.11/16-12	50	64	58
S150X20-21	1.1/4	31.8	20	1.11/16-12	50	99	76
S150X24-32	1.1/2	38.1	24	2-12	60	80	73

0385X

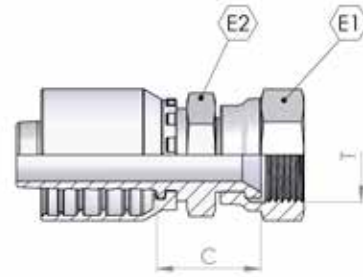
SAE Male O'R Flat Seat



Part number	Hose I.D.		Dimension			
	in	mm	dash size	thread	hex	cut-off
				T	E	C
0385X12-12	3/4	19	12	1.1/16-12	32	35
0385X12-16	3/4	19	12	1.5/16-12	38	38

0940X

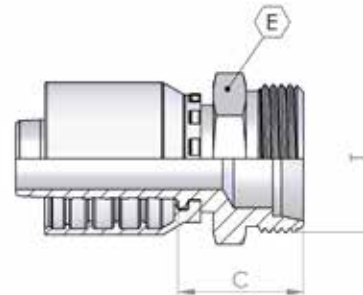
JIS Female 60° Cone (Komatsu)



Part number	Hose I.D.		Dimension				
	in	mm	dash size	thread	hex		cut-off
				T	E1	E2	C
0940X12-30	3/4	19	12	M30x1.5	36	30	32
0940X16-33	1	25.4	16	M33x1.5	41	36	35
0940X20-36	1.1/4	31.8	20	M36x1.5	46	46	37
0940X24-42	1.1/2	38.1	24	M42x1.5	50	50	38

KO5BX

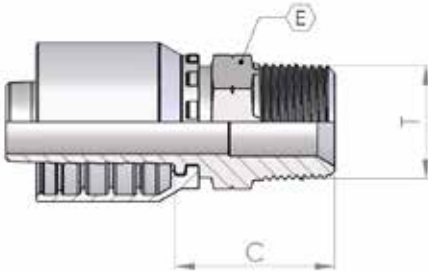
Kobelco Male



Part number	Hose I.D.		Dimension				
	in	mm	dash size	thread	hex	tube	cut-off
				T	E	C	
KO5BX12-30	3/4	19	12	M30-1.5	32	22	37
KO5BX12-36	3/4	19	12	M36-1.5	41	28	38
KO5BX16-36	1	25.4	16	M36-1.5	41	28	39
KO5BX16-45	1	25.4	16	M45-1.5	50	35	40

0360X

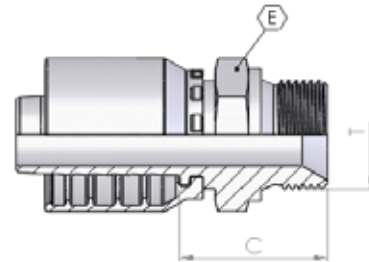
BSP Taper Male 60° Cone



Part number	Hose I.D.		Dimension			
	in	mm	dash size	thread	hex	cut-off
				T	E	C
0360X12-12	3/4	19	12	3/4-14	27	39
0360X12-16	3/4	19	12	1-11	36	45
0360X16-16	1	25.4	16	1-11	36	46
0360X16-20	1	25.4	16	1.1/4-11	46	48
0360X20-20	1.1/4	31.8	20	1.1/4-11	46	47
0360X20-24	1.1/4	31.8	20	1.1/2-11	50	49
0360X24-24	1.1/2	38.1	24	1.1/2-11	50	49
0360X24-32	1.1/2	38.1	24	2-11	65	55
0360X32-32	2	50.8	32	2-11	65	68

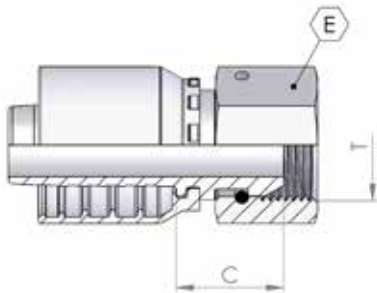
0350X

BSP Male Parallel 60° Cone



Part number	Hose I.D.		Dimension			
	in	mm	dash size	thread	hex	cut-off
				T	E	C
0350X12-12	3/4	19	12	3/4-14	32	38
0350X12-16	3/4	19	12	1-11	41	41
0350X16-16	1	25.4	16	1-11	41	42
0350X16-20	1	25.4	16	1.1/4-11	50	46
0350X20-16	1.1/4	31.8	20	1-11	41	41
0350X20-20	1.1/4	31.8	20	1.1/4-11	50	45
0350X20-24	1.1/4	31.8	20	1.1/2-11	55	46
0350X24-24	1.1/2	38.1	24	1.1/2-11	55	46
0350X24-32	1.1/2	38.1	24	2-11	70	54
0350X32-24	2	50.8	32	1.1/2-11	65	50
0350X32-32	2	50.8	32	2-11	70	54

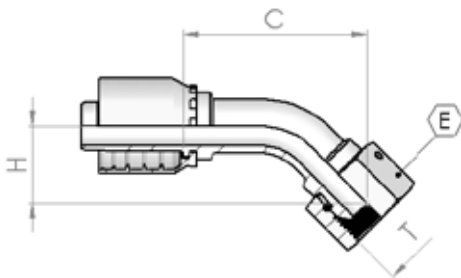
0050X



BSP Female 60° Cone - Thrust Wire

Part number	Hose I.D.		Dimension			
	in	mm	dash size	thread	hex	cut-off
				T	E	C
0050X12-12	3/4	19	12	3/4-14	32	27
0050X16-16	1	25.4	16	1-11	38	30
0050X16-20	1	25.4	16	1.1/4-11	50	30
0050X20-20	1.1/4	31.8	20	1.1/4-11	50	32
0050X20-24	1.1/4	31.8	20	1.1/2-11	55	34
0050X24-24	1.1/2	38.1	24	1.1/2-11	55	37
0050X32-32	2	50.8	32	2-11	70	58

0250X

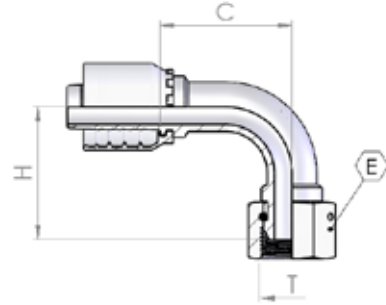


BSP 45° Swept Elbow 60° Cone

Part number	Hose I.D.		Dimension				
	in	mm	dash size	thread	hex	cut-off	Drop
				T	E	C	H
0250X12-12	3/4	19	12	3/4-14	32	87	29
0250X16-16	1	25.4	16	1-11	38	108	35
0250X16-20	1	25.4	16	1.1/4-11	50	70	33
0250X20-20	1.1/4	31.8	20	1.1/4-11	50	107	40
0250X20-24	1.1/4	31.8	20	1.1/2-11	55	91	41
0250X24-24	1.1/2	38.1	24	1.1/2-11	55	117	47
0250X32-32	2	50.8	32	2-11	70	162	70

0150X

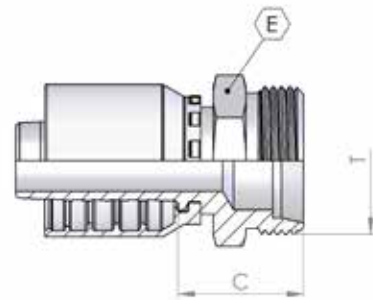
BSP 90° Swept elbow 60° Cone



Part number	Hose I.D.		Dimension				
	in	mm	dash size	thread	hex	cut-off	Drop
				T	E	C	H
0150X12-12	3/4	19	12	3/4-14	32	58	56
0150X16-16	1	25.4	16	1-11	38	72	68
0150X16-20	1	25.4	16	1.1/4-11	50	62	72
0150X20-20	1.1/4	31.8	20	1.1/4-11	50	86	81
0150X20-24	1.1/4	31.8	20	1.1/2-11	55	81	89
0150X24-24	1.1/2	38.1	24	1.1/2-11	55	103	95
0150X32-32	2	50.8	32	2-11	70	139	133

0500X

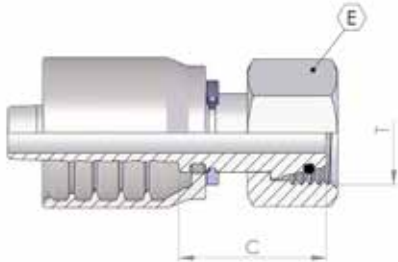
Metric Male 24° - Seat Light



Part number	Hose I.D.		Dimension			
	in	mm	dash size	thread	hex	cut-off
				T	E	C
0500X12-26	3/4	19	12	M26-1.5	27	30
0500X12-30	3/4	19	12	M30-2	30	35
0500X16-36	1	25.4	16	M36-2	36	34
0500X20-45	1.1/4	31.8	20	M45-2	46	36
0500X24-52	1.1/2	38.1	24	M52-2	55	38

0085X

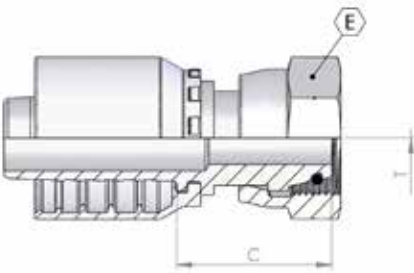
Metric Female 24° - Seat Light



Part number	Hose I.D.		Dimension			
	in	mm	dash size	thread	hex	cut-off
				T	E	C
0085X12-30	3/4	19	12	M30-2	36	31
0085X12-36	3/4	19	12	M36-2	41	30
0085X16-36	1	25.4	16	M36-2	41	32
0085X20-45	1.1/4	31.8	20	M45-2	50	40
0085X24-52	1.1/2	38.1	24	M52-2	60	41

0085X

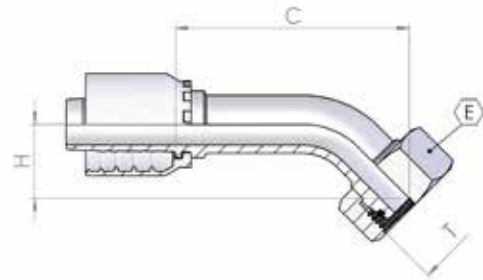
Metric Female 24° - Seat Light (rolled nut)



Part number	Hose I.D.		Dimension			
	in	mm	dash size	thread	hex	cut-off
				T	E	C
0085X-12-26	3/4	19	12	M26-1.5	32	38

0285X

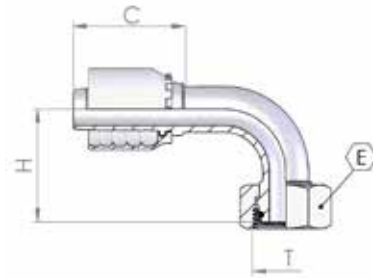
45° Metric Swept Elbow 24° - Seat Light



Part number	Hose I.D.		Dimension				
	in	mm	dash size	thread	hex	cut-off	Drop
				T	E	C	H
0285X12-26	3/4	19	12	M26-1.5	32	45	19
0285X12-30	3/4	19	12	M30-2	36	87	27
0285X16-36	1	25.4	16	M36-2	41	104	32
0285X20-45	1.1/4	31.8	20	M45-2	50	155	50
0285X24-52	1.1/2	38.1	24	M52-2	60	180	55

0185X

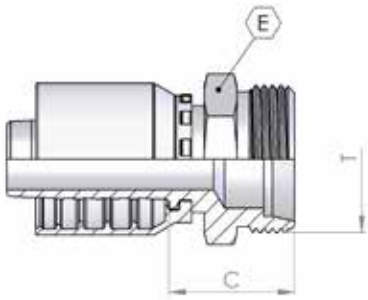
90° Metric Swept Elbow 24° - Seat Light



Part number	Hose I.D.		Dimension				
	in	mm	dash size	thread	hex	cut-off	Drop
				T	E	C	H
0185X12-26	3/4	19	12	M26-1.5	32	44	44
0185X12-30	3/4	19	12	M30-2	36	60	52
0185X12-36	3/4	19	12	M36-2	41	51	51
0185X16-36	1	25.4	16	M36-2	41	74	62
0185X20-45	1.1/4	31.8	20	M45-2	50	104	97
0185X24-52	1.1/2	38.1	24	M52-2	60	123	109

0450X

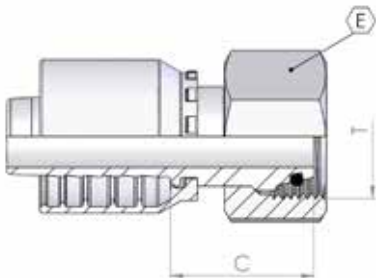
Metric Male 24° - Seat Heavy



Part number	Hose I.D.		Dimension			
	in	mm	dash size	thread	hex	cut-off
				T	E	C
0450X12-30	3/4	19	12	M30-2	36	36
0450X12-36	3/4	19	12	M36-2	36	40
0450X16-42	1	25.4	16	M42-2	46	44
0450X20-42	1.1/4	31.8	20	M42-2	46	43
0450X20-52	1.1/4	31.8	20	M52-2	55	45
0450X24-52	1.1/2	38.1	24	M52-2	55	45

0084X

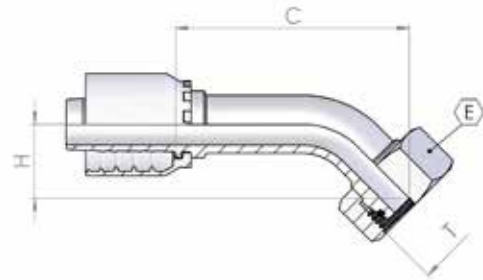
Metric Female 24° - Seat Heavy



Part number	Hose I.D.		Dimension			
	in	mm	dash size	thread	hex	cut-off
				T	E	C
0084X12-30	3/4	19	12	M30-2	36	35
0084X12-36	3/4	19	12	M36-2	46	41
0084X16-36	1	25.4	16	M36-2	46	43
0084X16-42	1	25.4	16	M42-2	50	45
0084X20-52	1.1/4	31.8	20	M52-2	60	44
0084X24-52	1.1/2	38.1	24	M52-2	60	44

0284X

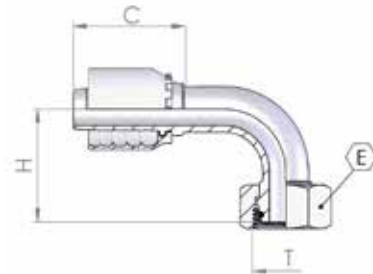
45° Metric Swept Elbow 24° - Seat Heavy



Part number	Hose I.D.		Dimension				
	in	mm	dash size	thread	hex	cut-off	Drop
				T	E	C	H
0284X12-30	3/4	19	12	M30-2	36	91	30
0284X12-36	3/4	19	12	M36-2	46	91	31
0284X16-42	1	25.4	16	M42-2	50	107	33
0284X20-52	1.1/4	31.8	20	M52-2	60	157	50

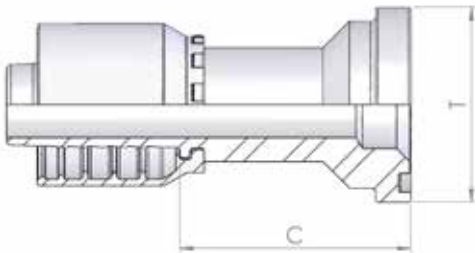
0184X

90° Metric Swept Elbow 24° - Seat Heavy



Part number	Hose I.D.		Dimension				
	in	mm	dash size	thread	hex	cut-off	Drop
				T	E	C	H
0184X12-30	3/4	19	12	M30-2	36	59	56
0184X12-36	3/4	19	12	M36-2	46	58	59
0184X16-42	1	25.4	16	M42-2	50	74	67
0184X20-52	1.1/4	31.8	20	M52-2	60	84	82
0184X24-52	1.1/2	38.1	24	M52-2	60	99	94

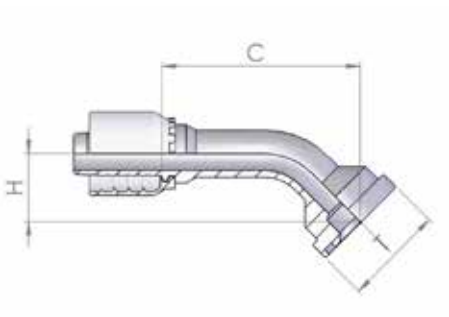
1250X



Straight SAE Flange 3000 PSI

Part number	Hose I.D.		Dimension			
	in	mm	dash size	Flange		cut-off
				T	mm	
1250X12-12	3/4	19	12	3/4	38.1	51
1250X12-16	3/4	19	12	1	44.5	54
1250X16-16	1	25.4	16	1	44.5	56
1250X16-20	1	25.4	16	1.1/4	50.8	59
1250X20-20	1.1/4	31.8	20	1.1/4	50.8	59
1250X20-24	1.1/4	31.8	20	1.1/2	60.3	62
1250X24-24	1.1/2	38.1	24	1.1/2	60.3	62
1250X24-32	1.1/2	38.1	24	2	71.4	67
1250X32-32	2	50.8	32	2	71.4	75

1150X

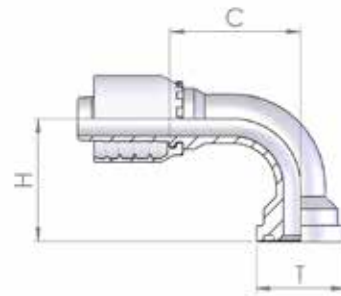


45° SAE Flange 3000 PSI

Part number	Hose I.D.		Dimension				
	in	mm	dash size	Flange		cut-off	Drop
				T	mm		
1150X12-12	3/4	19	12	3/4	38.1	84	27
1150X12-16	3/4	19	12	1	44.5	88	30
1150X16-16	1	25.4	16	1	44.5	106	33
1150X16-20	1	25.4	16	1.1/4	50.8	110	37
1150X20-20	1.1/4	31.8	20	1.1/4	50.8	102	38
1150X20-24	1.1/4	31.8	20	1.1/2	60.3	147	39
1150X24-24	1.1/2	38.1	24	1.1/2	60.3	114	44
1150X24-32	1.1/2	38.1	24	2	71.4	170	45
1150X32-32	2	50.8	32	2	71.4	196	56

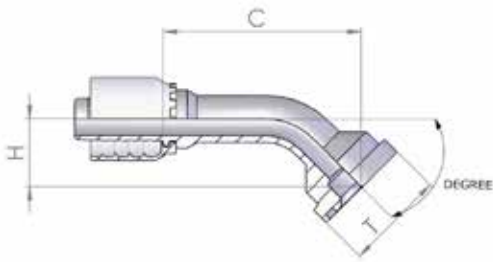
1050X

90° SAE Flange 3000 PSI



Part number	Hose I.D.		dash size	Dimension			
	in	mm		Flange		cut-off	Drop
				T	mm		
1050X12-12	3/4	19	12	3/4	38.1	58	53
1050X12-16	3/4	19	12	1	44.5	58	58
1050X16-16	1	25.4	16	1	44.5	72	65
1050X16-20	1	25.4	16	1.1/4	50.8	72	70
1050X20-16	1.1/4	31.8	20	1	44.5	81	77
1050X20-20	1.1/4	31.8	20	1.1/4	50.8	101	82
1050X20-24	1.1/4	31.8	20	1.1/2	60.3	106	80
1050X24-24	1.1/2	38.1	24	1.1/2	60.3	120	92
1050X24-32	1.1/2	38.1	24	2	71.4	120	93
1050X32-32	2	50.8	32	2	71.4	139	123

1050X

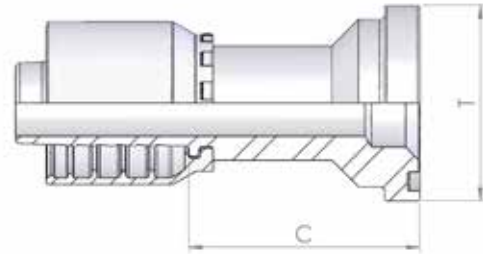


**22.5°/30°/60°/67.5°
SAE Flange 3000 PSI**

Part number	Hose I.D.		Dimension					Degree
	in	mm	dash size	Flange		cut-off	Drop	
				T	mm			
1050X12-12 22.5	3/4	19	12	3/4	38.1	78	11	22.5
1050X16-16 22.5	1	25.4	16	1	44.5	91	14	22.5
1050X20-20 22.5	1.1/4	31.8	20	1.1/4	50.8	152	18	22.5
1050X12-12 30	3/4	19	12	3/4	38.1	77	16	30
1050X16-16 30	1	25.4	16	1	44.5	89	19	30
1050X20-20 30	1.1/4	31.8	20	1.1/4	50.8	150	25	30
1050X24-24 30	1.1/2	38.1	24	1.1/2	60.3	175	27	30
1050X12-12 60	3/4	19	12	3/4	38.1	78	36	60
1050X16-16 60	1	25.4	16	1	44.5	97	43	60
1050X20-20 60	1.1/4	31.8	20	1.1/4	50.8	136	49	60
1050-32-32 60	2	50.8	32	2	71.4	186	82	60
1050X12-12 67.5	3/4	19	12	3/4	38.1	74	41	67.5
1050X16-16 67.5	1	25.4	16	1	44.5	93	48	67.5
1050X20-20 67.5	1.1/4	31.8	20	1.1/4	50.8	132	53	67.5
1050X24-24 67.5	1.1/2	38.1	24	1.1/2	60.3	167	66	67.5
1050X32-32 67.5	2	50.8	32	2	71.4	177	93	67.5

1300X

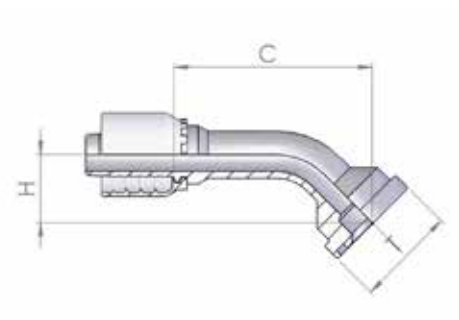
Straight SAE Flange 6000 PSI



Part number	Hose I.D.		dash size	Dimension		
	in	mm		Flange		cut-off
				T	mm	C
1300X12-12	3/4	19	12	3/4	41.3	55
1300X12-16	3/4	19	12	1	47.6	61
1300X16-16	1	25.4	16	1	47.6	63
1300X16-20	1	25.4	16	1.1/4	54	70
1300X20-20	1.1/4	31.8	20	1.1/4	54	70
1300X20-24	1.1/4	31.8	20	1.1/2	63.5	76
1300X24-24	1.1/2	38.1	24	1.1/2	63.5	76
1300X24-32	1.1/2	38.1	24	2	79.4	85
1300X32-32	2	50.8	32	2	79.4	92

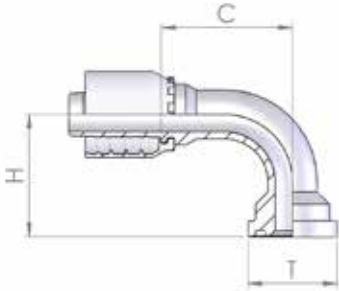
1200X

45° SAE Flange 6000 PSI



Part number	Hose I.D.		dash size	Dimension			
	in	mm		Flange		cut-off	Drop
				T	mm	C	H
1200X12-12	3/4	19	12	3/4	41.3	87	30
1200X12-16	3/4	19	12	1	47.6	94	34
1200X16-16	1	25.4	16	1	47.6	109	37
1200X16-20	1	25.4	16	1.1/4	54	115	41
1200X20-20	1.1/4	31.8	20	1.1/4	54	155	43
1200X20-24	1.1/4	31.8	20	1.1/2	63.5	155	45
1200X24-24	1.1/2	38.1	24	1.1/2	63.5	122	50
1200X24-32	1.1/2	38.1	24	2	79.4	187	56
1200X32-32	2	50.8	32	2	79.4	161	71

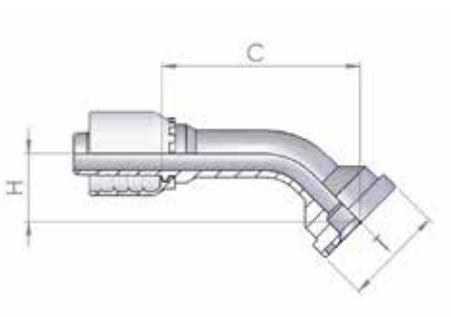
1100X



90° SAE Flange 6000 PSI

Part number	Hose I.D.		dash size	Dimension			
	in	mm		Flange		cut-off	Drop
				T	mm		
1100X12-12	3/4	19	12	3/4	41.3	58	57
1100X12-16	3/4	19	12	1	47.6	56	63
1100X16-16	1	25.4	16	1	47.6	72	69
1100X16-20	1	25.4	16	1.1/4	54	72	77
1100X20-20	1.1/4	31.8	20	1.1/4	54	103	85
1100X20-24	1.1/4	31.8	20	1.1/2	63.5	114	91
1100X24-24	1.1/2	38.1	24	1.1/2	63.5	118	102
1100X24-32	1.1/2	38.1	24	2	79.4	122	114
1100X32-32	2	50.8	32	2	79.4	140	143

1100X

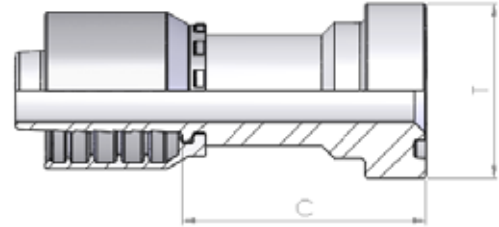


60° SAE Flange 6000 PSI

Part number	Hose I.D.		dash size	Dimension				Degree
	in	mm		Flange		cut-off	Drop	
				T	mm			
1100X12-12 60	3/4	19	12	3/4	38.1	78	36	60°
1100X16-16 60	1	25.4	16	1	44.5	97	43	60°
1100X20-20 60	1.1/4	31.8	20	1.1/4	50.8	116	49	60°
1100X24-24 60	1.1/2	38.1	24	1.1/2	60.3	175	54	60°
1100X32-32 60	2	50.8	32	2	79.4	198	98	60°

130SX

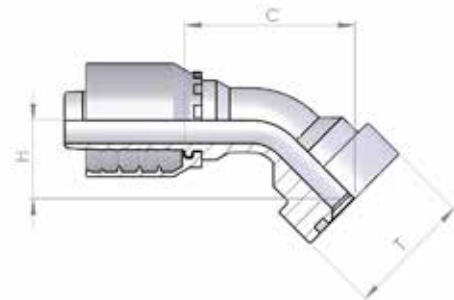
Straight 'CAT' Flange



Part number	Hose I.D.		dash size	Dimension		
	in	mm		Flange		cut-off
				T	mm	C
130SX12-12	3/4	19	12	3/4	41	59
130SX12-16	3/4	19	12	1	48	66
130SX16-16	1	25.4	16	1	48	67
130SX16-20	1	25.4	16	1.1/4	54	75
130SX20-20	1.1/4	31.8	20	1.1/4	54	74
130SX20-24	1.1/4	31.8	20	1.1/2	63.5	78
130SX24-24	1.1/2	38.1	24	1.1/2	63.5	80
130SX32-32	2	50.8	32	2	79.4	94

120SX

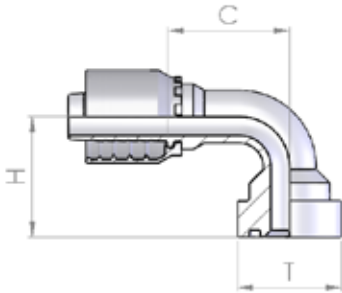
45° 'CAT' Flange



Part number	Hose I.D.		dash size	Dimension			
	in	mm		Flange		cut-off	Drop
				T	mm	C	H
120SX12-12	3/4	19	12	3/4	41	90	32
120SX12-16	3/4	19	12	1	48	97	33
120SX16-16	1	25.4	16	1	48	121	40
120SX16-20	1	25.4	16	1.1/4	54	124	44
120SX20-20	1.1/4	31.8	20	1.1/4	54	146	44
120SX20-24	1.1/4	31.8	20	1.1/2	63.5	157	48
120SX24-24	1.1/2	38.1	24	1.1/2	63.5	172	52
120SX32-32	2	50.8	32	2	79.4	162	72

110SX

90° 'CAT' Flange

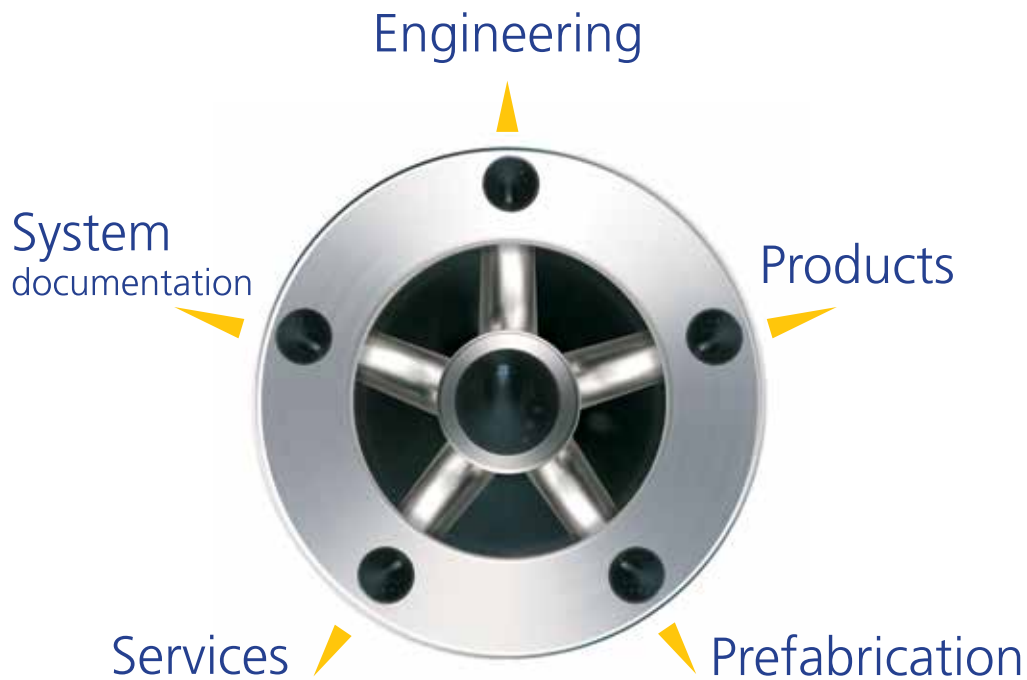


Part number	Hose I.D.		dash size	Dimension			
	in	mm		Flange		cut-off	Drop
				T	mm		
110SX12-12	3/4	19	12	3/4	41	58	60
110SX12-16	3/4	19	12	1	48	58	67
110SX16-16	1	25.4	16	1	48	80	74
110SX16-20	1	25.4	16	1.1/4	54	79	80
110SX20-20	1.1/4	31.8	20	1.1/4	54	103	88
110SX20-24	1.1/4	31.8	20	1.1/2	63.5	96	95
110SX24-24	1.1/2	38.1	24	1.1/2	63.5	118	104
110SX24-32	1.1/2	38.1	24	2	79.4	122	118
110SX32-32	2	50.8	32	2	79.4	142	145



GS-Hydro is the original provider of non-welded piping solutions with numerous benefits for a wide variety of demanding applications. We create value together with our customers by providing innovative fluid transfer solutions which enable safe operation, reduced environmental impact and lower total cost of ownership. We deliver our piping and hose solutions globally in more than twenty-five countries through own companies and partners.

GS-Hydro system offering



sales@gshydro.com
www.gshydro.com

