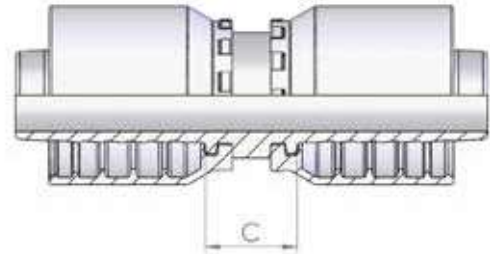


# D050G

## Hose Junction



Part number	Hose I.D.		Dimension	
	in	mm	dash size	cut-off C
D050G03	3/16	4.8	3	17
D050G04	1/4	6.4	4	17
D050G05	5/16	7.9	5	17
D050G06	3/8	9.5	6	17
D050G08	1/2	12.7	8	18
D050G10	5/8	15.9	10	18
D050G12	3/4	19.0	12	19
D050G16	1	25.4	16	21
D050G20	1.1/4	31.8	20	24
D050G24	1.1/2	38.1	24	24
D050G32	2	50.8	32	26



## Section Index

0370X, 0850X.....	56
0900X, 1000X.....	57
0950X, S350X.....	58
S05TX, S205X.....	59
S150X, 0385X.....	60
0940X, K05BX.....	61
0360X.....	62
0350X.....	63
0050X, 0250X.....	64
0150X, 0500X.....	65
0085X, 0085XR.....	66
0285X, 0185X.....	67
0450X, 0084X.....	68
0284X, 0184X.....	69
1250X, 1150X.....	70
1050X.....	71
1050X.....	72
1300X, 1200X.....	73
1100X.....	74
1305X, 1205X.....	75
1105X.....	76



**0370X**



NPTF Male 60° Cone

56



**0850X**



JIC Male 74° Cone

56

**0900X**



JIC Female 74° Cone

57

**1000X**



JIC 45° Swept Elbow  
74° Cone

57

**0950X**



JIC 90° Swept Elbow  
74° Cone

58



**S350X**



ORFS Male

58

**S05TX**



ORFS Female Back  
Hexagon

59

**S250X**



ORFS 45° Swept  
Elbow

59

**S150X**



ORFS 90° Swept  
Elbow

60



**0385X**



SAE Male O'R Flat  
Seat

60



**0940X**



JIS Female 60° Cone  
(Komatsu)

61



**K05BX**



Kobelco Male

61



**0360X**



BSP Taper Male 60°  
Cone

62

**0350X**



BSP Male Parallel 60°  
Cone

63

**0050X**



BSP Female 60° Cone  
Thrust Wire

64

**0250X**



BSP 45° Swept Elbow  
60° Cone

64

**0150X**



BSP 90° Swept Elbow  
60° Cone

65



**0500X**



Metric Male 24° Seat Light

65

**0085X**



Metric Female 24° Seat Light

66

**0085XR**



Metric Female 24° Seat Light (rolled nut)

66

**0285X**



45° Metric Swept Elbow 24° Seat Light

67

**0185X**



90° Metric Swept Elbow 24° Seat Light

67



**0450X**



Metric Male 24° Seat Heavy

68

**0084X**



Metric Female 24° Seat Heavy

68

**0284X**



45° Metric Swept Elbow 24° Seat Heavy

69

**0184X**



90° Metric Swept Elbow 24° Seat Heavy

69



**1250X**



Straight SAE Flange 3000 PSI

70

**1150X**



45° SAE Flange 3000 PSI

70

**1050X**



90° SAE Flange 3000 PSI

71

**1050X**



22.5°/30°/60°/67.5° SAE Flange 3000 PSI

72



**1300X**



Straight SAE Flange 6000 PSI

73

**1200X**



45° SAE Flange 6000 PSI

73

**1100X**



90° SAE Flange 6000 PSI

74

**1100X**



60° SAE Flange 6000 PSI

74



**130SX**



Straight 'CAT' Flange

75

**120SX**



45° 'CAT' Flange

75

**110SX**

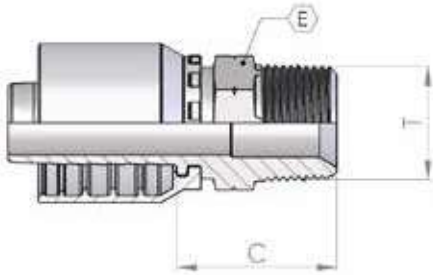


90° 'CAT' Flange

76

Dimensions and general characteristics may be changed at any time, data contained here in are only for information purpose only and it does not enlarge, amend or imply any warranty other than provided by us with the product. Any use of the product not in conformance with our instructions may be dangerous.

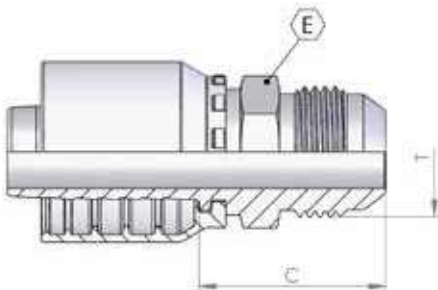
## 0370X



### NPTF Male 60° Cone

Part number	Hose I.D.		Dimension			
	in	mm	dash size	thread	hex	cut-off
				T	E	C
0370X12-12	3/4	19	12	3/4-14	27	39
0370X16-16	1	25.4	16	1-11.1/2	36	46
0370X20-16	1.1/4	31.8	20	1-11.1/2	41	45
0370X20-20	1.1/4	31.8	20	1.1/4-11.1/2	46	47
0370X24-24	1.1/2	38.1	24	1.1/2-11.1/2	50	49
0370X32-32	2	50.8	32	2-11.1/2	65	64

## 0850X

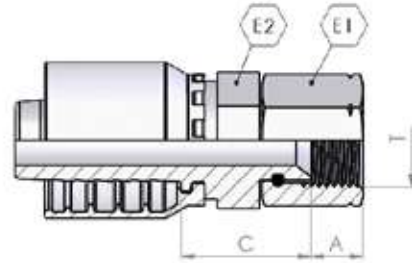


### JIC Male 74° Cone

Part number	Hose I.D.		Dimension			
	in	mm	dash size	thread	hex	cut-off
				T	E	C
0850X12-10	3/4	19	12	7/8-14	24	38
0850X12-12	3/4	19	12	1.1/16-12	27	40
0850X12-14	3/4	19	12	1.3/16-12	32	45
0850X12-16	3/4	19	12	1.5/16-12	34	44
0850X12-20	3/4	19	12	1.5/8-12	42	47
0850X16-12	1	25.4	16	1.1/16-12	27	41
0850X16-14	1	25.4	16	1.3/16-12	32	44
0850X16-16	1	25.4	16	1.5/16-12	34	45
0850X16-20	1	25.4	16	1.5/8-12	42	48
0850X20-20	1.1/4	31.8	20	1.5/8-12	42	47
0850X20-24	1.1/4	31.8	20	1.7/8-12	50	52
0850X24-24	1.1/2	38.1	24	1.7/8-12	50	52
0850X32-32	2	50.8	32	2.1/2-12	65	72

# 0900X

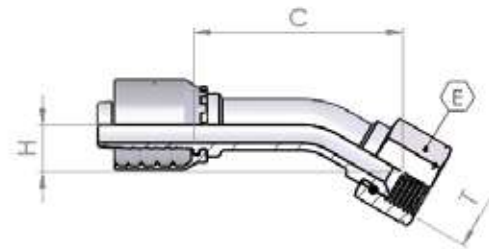
## JIC Female 74° Cone



Part number	Hose I.D.		Dimension					
	in	mm	dash size	thread	hex		cut-off	
				T	E1	E2	C	A
0900X12-12	3/4	19	12	1.1/16-12	32	27	32	13.5
0900X16-16	1	25.4	16	1.5/16-12	38	36	33	15.5
0900X20-20	1	31.8	20	1.5/8-12	50	42	40	16.5
0900X20-24	1.1/4	31.8	20	1.7/8-12	55	42	43	19
0900X24-24	1.1/4	38.1	24	1.7/8-12	55	50	44	19
0900X32-32	2	50.8	32	2.1/2-12	70	65	58	20

# 1000X

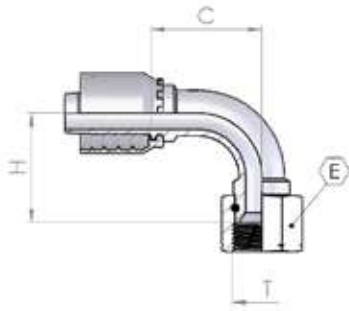
## JIC 45° Swept Elbow 74° Cone



Part number	Hose I.D.		Dimension				
	in	mm	dash size	thread	hex	cut-off	Drop
				T	E	C	H
1000X12-12	3/4	19	12	1.1/16-12	32	85	28
1000X16-16	1	25.4	16	1.5/16-12	41	109	36
1000X20-20	1.1/4	31.8	20	1.5/8-12	50	108	40
1000X20-24	1.1/4	31.8	20	1.7/8-12	55	89	39
1000X24-24	1.1/2	38.1	24	1.7/8-12	55	174	47
1000X32-32	2	50.8	32	2.1/2-12	70	155	65

# 0950X

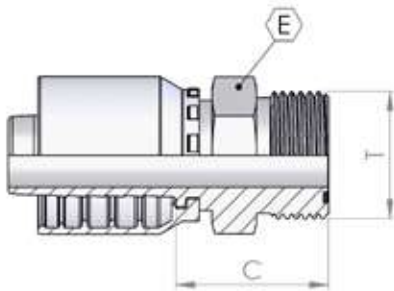
## JIC 90° Swept Elbow 74° Cone



Part number	Hose I.D.		Dimension				
	in	mm	dash size	thread	hex	cut-off	Drop
				T	E	C	H
0950X12-12	3/4	19	12	1.1/16-12	32	58	54
0950X16-16	1	25.4	16	1.5/16-12	41	72	68
0950X20-20	1.1/4	31.8	20	1.5/8-12	50	103	81
0950X24-24	1.1/2	38.1	24	1.7/8-12	55	120	95
0950X32-32	2	50.8	32	2.1/2-12	70	139	133

# S350X

## ORFS Male

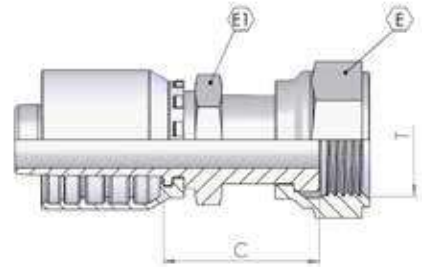


Part number	Hose I.D.		Dimension			
	in	mm	dash size	thread	hex	cut-off
				T	E	C
S350X12-14	3/4	19	12	1.3/16-12	32	36
S350X12-15	3/4	19	12	1.7/16-12	38	36
S350X16-15	1	25.4	16	1.7/16-12	38	37
S350X16-21	1	25.4	16	1.11/16-12	46	38
S350X20-21	1.1/4	31.8	20	1.11/16-12	46	39
S350X24-32	1.1/2	38.1	24	2-12	55	43



## S05TX

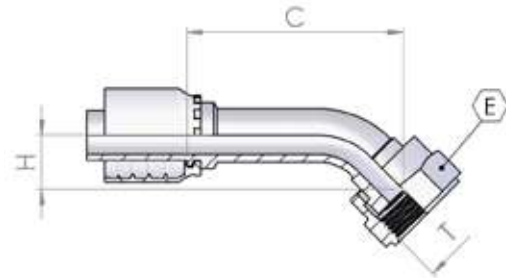
### ORFS Female Back Hexagon



Part number	Hose I.D.		Dimension				
	in	mm	dash size	thread	hex		cut-off
				T	E	E1	C
S05TX12-14	3/4	19	12	1.3/16-12	36	3030	44
S05TX16-15	1	25.4	16	1.7/16-12	41	3636	52
S05TX20-21	1.1/4	31.8	20	1.11/16-12	46	5050	52.5
S05TX24-32	1.1/2	38.1	24	2-12	50	6060	55.5

## S250X

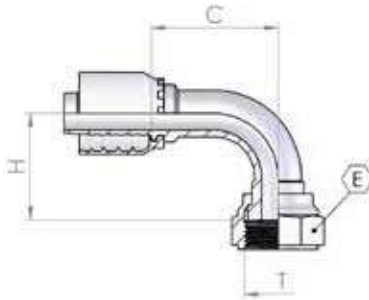
### ORFS 45° Swept Elbow



Part number	Hose I.D.		Dimension				
	in	mm	dash size	thread	hex	cut-off	Drop
				T	E	C	H
S250X12-13	3/4	19	12	1-14	30	42	15
S250X12-14	3/4	19	12	1.3/16-12	36	86	23
S250X12-15	3/4	19	12	1.7/16-12	41	86	26
S250X16-15	1	25.4	16	1.7/16-12	41	102	31
S250X20-21	1.1/4	31.8	20	1.11/16-12	50	137	37
S250X24-32	1.1/2	38.1	24	2.1/2-12	60	159	46

# S150X

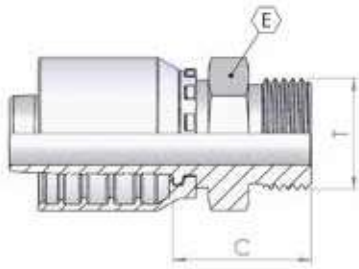
## ORFS 90° Swept Elbow



Part number	Hose I.D.		Dimension				
	in	mm	dash size	thread	hex	cut-off	Drop
				T	E	C	H
S150X12-13	3/4	19	12	1-14	30	44	39
S150X12-14	3/4	19	12	1.3/16-12	36	59	49
S150X12-15	3/4	19	12	1.7/16-12	41	58	51
S150X16-15	1	25.4	16	1.7/16-12	41	69	62
S150X16-21	1	25.4	20	1.11/16-12	50	64	58
S150X20-21	1.1/4	31.8	20	1.11/16-12	50	99	76
S150X24-32	1.1/2	38.1	24	2-12	60	80	73

# 0385X

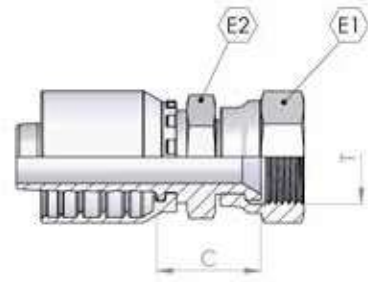
## SAE Male O'R Flat Seat



Part number	Hose I.D.		Dimension			
	in	mm	dash size	thread	hex	cut-off
				T	E	C
0385X12-12	3/4	19	12	1.1/16-12	32	35
0385X12-16	3/4	19	12	1.5/16-12	38	38

# 0940X

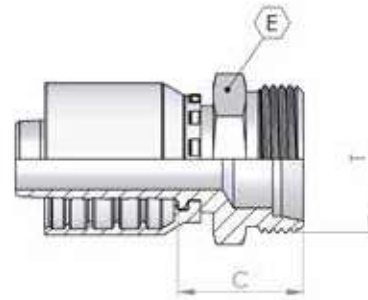
## JIS Female 60° Cone (Komatsu)



Part number	Hose I.D.		Dimension				
	in	mm	dash size	thread	hex		cut-off
				T	E1	E2	C
0940X12-30	3/4	19	12	M30x1.5	36	30	32
0940X16-33	1	25.4	16	M33x1.5	41	36	35
0940X20-36	1.1/4	31.8	20	M36x1.5	46	46	37
0940X24-42	1.1/2	38.1	24	M42x1.5	50	50	38

# KO5BX

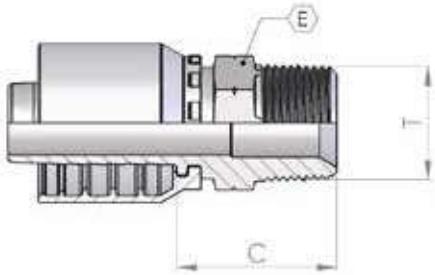
## Kobelco Male



Part number	Hose I.D.		Dimension				
	in	mm	dash size	thread	hex	tube	cut-off
				T	E	C	
KO5BX12-30	3/4	19	12	M30-1.5	32	<b>22</b>	37
KO5BX12-36	3/4	19	12	M36-1.5	41	<b>28</b>	38
KO5BX16-36	1	25.4	16	M36-1.5	41	<b>28</b>	39
KO5BX16-45	1	25.4	16	M45-1.5	50	<b>35</b>	40

# 0360X

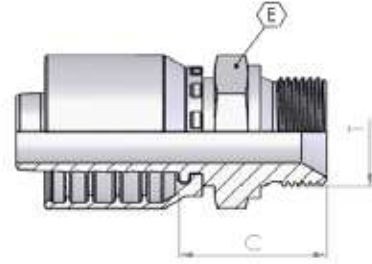
## BSP Taper Male 60° Cone



Part number	Hose I.D.		Dimension			
	in	mm	dash size	thread	hex	cut-off
				T	E	C
0360X12-12	3/4	19	12	3/4-14	27	39
0360X12-16	3/4	19	12	1-11	36	45
0360X16-16	1	25.4	16	1-11	36	46
0360X16-20	1	25.4	16	1.1/4-11	46	48
0360X20-20	1.1/4	31.8	20	1.1/4-11	46	47
0360X20-24	1.1/4	31.8	20	1.1/2-11	50	49
0360X24-24	1.1/2	38.1	24	1.1/2-11	50	49
0360X24-32	1.1/2	38.1	24	2-11	65	55
0360X32-32	2	50.8	32	2-11	65	68

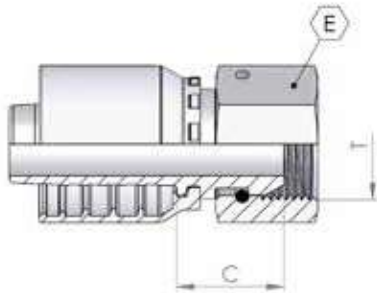
# 0350X

## BSP Male Parallel 60° Cone



Part number	Hose I.D.		Dimension			
	in	mm	dash size	thread	hex	cut-off
				T	E	C
0350X12-12	3/4	19	12	3/4-14	32	38
0350X12-16	3/4	19	12	1-11	41	41
0350X16-16	1	25.4	16	1-11	41	42
0350X16-20	1	25.4	16	1.1/4-11	50	46
0350X20-16	1.1/4	31.8	20	1-11	41	41
0350X20-20	1.1/4	31.8	20	1.1/4-11	50	45
0350X20-24	1.1/4	31.8	20	1.1/2-11	55	46
0350X24-24	1.1/2	38.1	24	1.1/2-11	55	46
0350X24-32	1.1/2	38.1	24	2-11	70	54
0350X32-24	2	50.8	32	1.1/2-11	65	50
0350X32-32	2	50.8	32	2-11	70	54

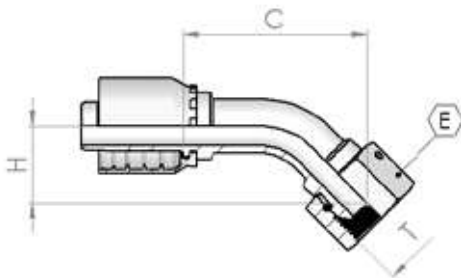
# 0050X



## BSP Female 60° Cone - Thrust Wire

Part number	Hose I.D.		Dimension			
	in	mm	dash size	thread	hex	cut-off
				T	E	C
0050X12-12	3/4	19	12	3/4-14	32	27
0050X16-16	1	25.4	16	1-11	38	30
0050X16-20	1	25.4	16	1.1/4-11	50	30
0050X20-20	1.1/4	31.8	20	1.1/4-11	50	32
0050X20-24	1.1/4	31.8	20	1.1/2-11	55	34
0050X24-24	1.1/2	38.1	24	1.1/2-11	55	37
0050X32-32	2	50.8	32	2-11	70	58

# 0250X

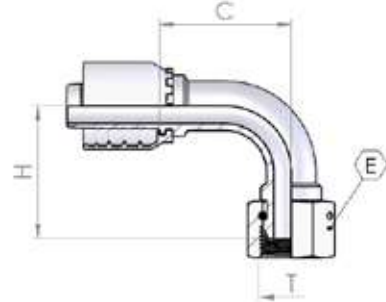


## BSP 45° Swept Elbow 60° Cone

Part number	Hose I.D.		Dimension				
	in	mm	dash size	thread	hex	cut-off	Drop
				T	E	C	H
0250X12-12	3/4	19	12	3/4-14	32	87	29
0250X16-16	1	25.4	16	1-11	38	108	35
0250X16-20	1	25.4	16	1.1/4-11	50	70	33
0250X20-20	1.1/4	31.8	20	1.1/4-11	50	107	40
0250X20-24	1.1/4	31.8	20	1.1/2-11	55	91	41
0250X24-24	1.1/2	38.1	24	1.1/2-11	55	117	47
0250X32-32	2	50.8	32	2-11	70	162	70

## 0150X

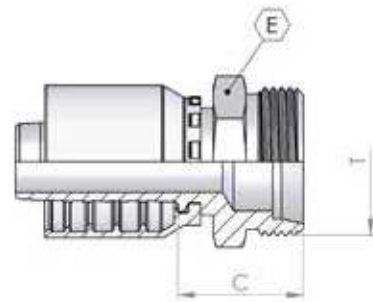
### BSP 90° Swept elbow 60° Cone



Part number	Hose I.D.		Dimension				
	in	mm	dash size	thread	hex	cut-off	Drop
				T	E	C	H
0150X12-12	3/4	19	12	3/4-14	32	58	56
0150X16-16	1	25.4	16	1-11	38	72	68
0150X16-20	1	25.4	16	1.1/4-11	50	62	72
0150X20-20	1.1/4	31.8	20	1.1/4-11	50	86	81
0150X20-24	1.1/4	31.8	20	1.1/2-11	55	81	89
0150X24-24	1.1/2	38.1	24	1.1/2-11	55	103	95
0150X32-32	2	50.8	32	2-11	70	139	133

## 0500X

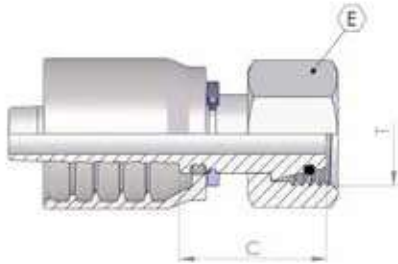
### Metric Male 24° - Seat Light



Part number	Hose I.D.		Dimension			
	in	mm	dash size	thread	hex	cut-off
				T	E	C
0500X12-26	3/4	19	12	M26-1.5	27	30
0500X12-30	3/4	19	12	M30-2	30	35
0500X16-36	1	25.4	16	M36-2	36	34
0500X20-45	1.1/4	31.8	20	M45-2	46	36
0500X24-52	1.1/2	38.1	24	M52-2	55	38

# 0085X

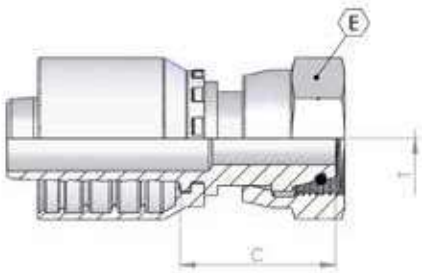
## Metric Female 24° - Seat Light



Part number	Hose I.D.		Dimension			
	in	mm	dash size	thread	hex	cut-off
				T	E	C
0085X12-30	3/4	19	12	M30-2	36	31
0085X12-36	3/4	19	12	M36-2	41	30
0085X16-36	1	25.4	16	M36-2	41	32
0085X20-45	1.1/4	31.8	20	M45-2	50	40
0085X24-52	1.1/2	38.1	24	M52-2	60	41

# 0085X

## Metric Female 24° - Seat Light (rolled nut)

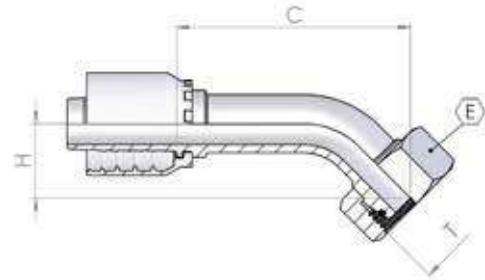


Part number	Hose I.D.		Dimension			
	in	mm	dash size	thread	hex	cut-off
				T	E	C
0085X-12-26	3/4	19	12	M26-1.5	32	38



## 0285X

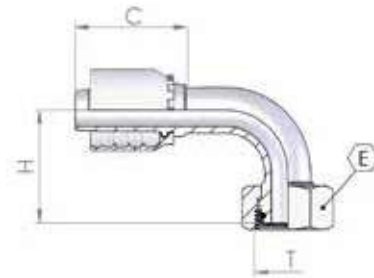
### 45° Metric Swept Elbow 24° - Seat Light



Part number	Hose I.D.		Dimension				
	in	mm	dash size	thread	hex	cut-off	Drop
				T	E	C	H
0285X12-26	3/4	19	12	M26-1.5	32	45	19
0285X12-30	3/4	19	12	M30-2	36	87	27
0285X16-36	1	25.4	16	M36-2	41	104	32
0285X20-45	1.1/4	31.8	20	M45-2	50	155	50
0285X24-52	1.1/2	38.1	24	M52-2	60	180	55

## 0185X

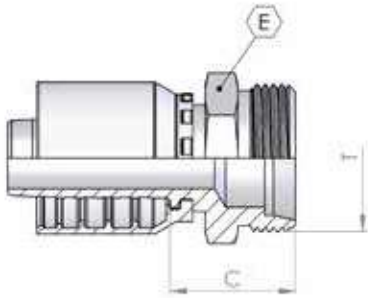
### 90° Metric Swept Elbow 24° - Seat Light



Part number	Hose I.D.		Dimension				
	in	mm	dash size	thread	hex	cut-off	Drop
				T	E	C	H
0185X12-26	3/4	19	12	M26-1.5	32	44	44
0185X12-30	3/4	19	12	M30-2	36	60	52
0185X12-36	3/4	19	12	M36-2	41	51	51
0185X16-36	1	25.4	16	M36-2	41	74	62
0185X20-45	1.1/4	31.8	20	M45-2	50	104	97
0185X24-52	1.1/2	38.1	24	M52-2	60	123	109

# 0450X

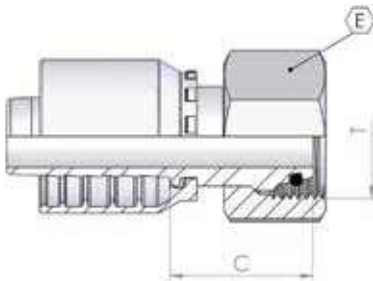
## Metric Male 24° - Seat Heavy



Part number	Hose I.D.		Dimension			
	in	mm	dash size	thread	hex	cut-off
				T	E	C
0450X12-30	3/4	19	12	M30-2	36	36
0450X12-36	3/4	19	12	M36-2	36	40
0450X16-42	1	25.4	16	M42-2	46	44
0450X20-42	1.1/4	31.8	20	M42-2	46	43
0450X20-52	1.1/4	31.8	20	M52-2	55	45
0450X24-52	1.1/2	38.1	24	M52-2	55	45

# 0084X

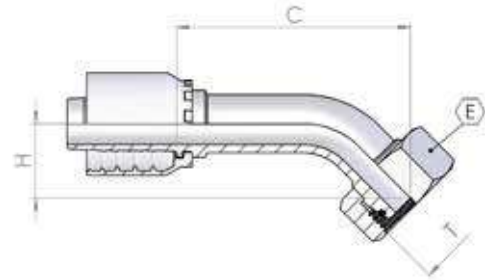
## Metric Female 24° - Seat Heavy



Part number	Hose I.D.		Dimension			
	in	mm	dash size	thread	hex	cut-off
				T	E	C
0084X12-30	3/4	19	12	M30-2	36	35
0084X12-36	3/4	19	12	M36-2	46	41
0084X16-36	1	25.4	16	M36-2	46	43
0084X16-42	1	25.4	16	M42-2	50	45
0084X20-52	1.1/4	31.8	20	M52-2	60	44
0084X24-52	1.1/2	38.1	24	M52-2	60	44

# 0284X

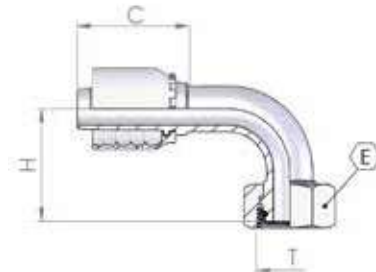
## 45° Metric Swept Elbow 24° - Seat Heavy



Part number	Hose I.D.		Dimension				
	in	mm	dash size	thread	hex	cut-off	Drop
				T	E	C	H
0284X12-30	3/4	19	12	M30-2	36	91	30
0284X12-36	3/4	19	12	M36-2	46	91	31
0284X16-42	1	25.4	16	M42-2	50	107	33
0284X20-52	1.1/4	31.8	20	M52-2	60	157	50

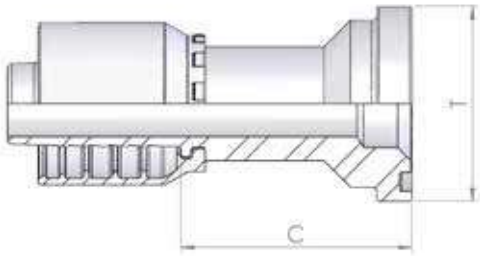
# 0184X

## 90° Metric Swept Elbow 24° - Seat Heavy



Part number	Hose I.D.		Dimension				
	in	mm	dash size	thread	hex	cut-off	Drop
				T	E	C	H
0184X12-30	3/4	19	12	M30-2	36	59	56
0184X12-36	3/4	19	12	M36-2	46	58	59
0184X16-42	1	25.4	16	M42-2	50	74	67
0184X20-52	1.1/4	31.8	20	M52-2	60	84	82
0184X24-52	1.1/2	38.1	24	M52-2	60	99	94

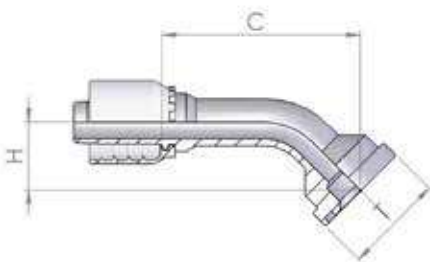
# 1250X



## Straight SAE Flange 3000 PSI

Part number	Hose I.D.		Dimension			
	in	mm	dash size	Flange		cut-off
				T	mm	
1250X12-12	3/4	19	12	3/4	38.1	51
1250X12-16	3/4	19	12	1	44.5	54
1250X16-16	1	25.4	16	1	44.5	56
1250X16-20	1	25.4	16	1.1/4	50.8	59
1250X20-20	1.1/4	31.8	20	1.1/4	50.8	59
1250X20-24	1.1/4	31.8	20	1.1/2	60.3	62
1250X24-24	1.1/2	38.1	24	1.1/2	60.3	62
1250X24-32	1.1/2	38.1	24	2	71.4	67
1250X32-32	2	50.8	32	2	71.4	75

# 1150X

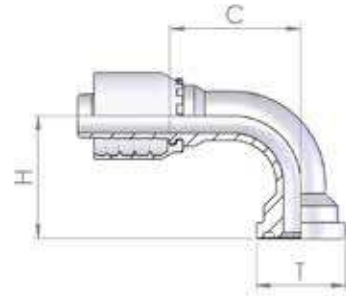


## 45° SAE Flange 3000 PSI

Part number	Hose I.D.		Dimension				
	in	mm	dash size	Flange		cut-off	Drop
				T	mm		
1150X12-12	3/4	19	12	3/4	38.1	84	27
1150X12-16	3/4	19	12	1	44.5	88	30
1150X16-16	1	25.4	16	1	44.5	106	33
1150X16-20	1	25.4	16	1.1/4	50.8	110	37
1150X20-20	1.1/4	31.8	20	1.1/4	50.8	102	38
1150X20-24	1.1/4	31.8	20	1.1/2	60.3	147	39
1150X24-24	1.1/2	38.1	24	1.1/2	60.3	114	44
1150X24-32	1.1/2	38.1	24	2	71.4	170	45
1150X32-32	2	50.8	32	2	71.4	196	56

# 1050X

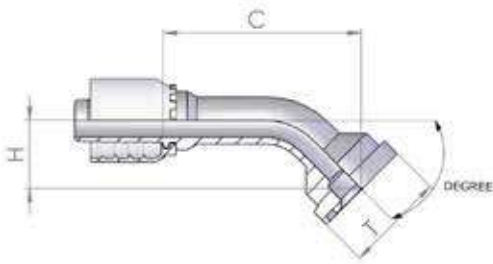
## 90° SAE Flange 3000 PSI



Part number	Hose I.D.		Dimension				
	in	mm	dash size	Flange		cut-off	Drop
				T	mm		
1050X12-12	3/4	19	12	3/4	38.1	58	53
1050X12-16	3/4	19	12	1	44.5	58	58
1050X16-16	1	25.4	16	1	44.5	72	65
1050X16-20	1	25.4	16	1.1/4	50.8	72	70
1050X20-16	1.1/4	31.8	20	1	44.5	81	77
1050X20-20	1.1/4	31.8	20	1.1/4	50.8	101	82
1050X20-24	1.1/4	31.8	20	1.1/2	60.3	106	80
1050X24-24	1.1/2	38.1	24	1.1/2	60.3	120	92
1050X24-32	1.1/2	38.1	24	2	71.4	120	93
1050X32-32	2	50.8	32	2	71.4	139	123

# 1050X

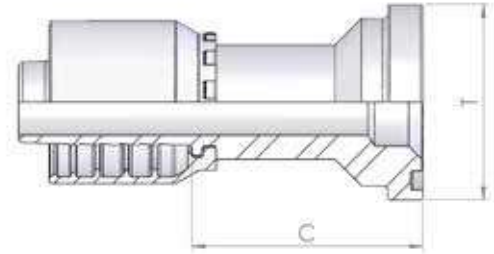
**22.5°/30°/60°/67.5°  
SAE Flange 3000 PSI**



Part number	Hose I.D.		Dimension					Degree
	in	mm	dash size	Flange		cut-off	Drop	
				T	mm			
1050X12-12 22.5	3/4	19	12	3/4	38.1	78	11	22.5
1050X16-16 22.5	1	25.4	16	1	44.5	91	14	22.5
1050X20-20 22.5	1.1/4	31.8	20	1.1/4	50.8	152	18	22.5
1050X12-12 30	3/4	19	12	3/4	38.1	77	16	30
1050X16-16 30	1	25.4	16	1	44.5	89	19	30
1050X20-20 30	1.1/4	31.8	20	1.1/4	50.8	150	25	30
1050X24-24 30	1.1/2	38.1	24	1.1/2	60.3	175	27	30
1050X12-12 60	3/4	19	12	3/4	38.1	78	36	60
1050X16-16 60	1	25.4	16	1	44.5	97	43	60
1050X20-20 60	1.1/4	31.8	20	1.1/4	50.8	136	49	60
1050-32-32 60	2	50.8	32	2	71.4	186	82	60
1050X12-12 67.5	3/4	19	12	3/4	38.1	74	41	67.5
1050X16-16 67.5	1	25.4	16	1	44.5	93	48	67.5
1050X20-20 67.5	1.1/4	31.8	20	1.1/4	50.8	132	53	67.5
1050X24-24 67.5	1.1/2	38.1	24	1.1/2	60.3	167	66	67.5
1050X32-32 67.5	2	50.8	32	2	71.4	177	93	67.5

# 1300X

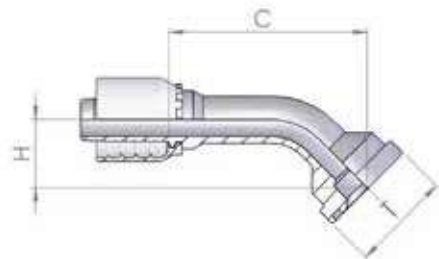
## Straight SAE Flange 6000 PSI



Part number	Hose I.D.		dash size	Dimension		
	in	mm		Flange		cut-off
				T	mm	C
1300X12-12	3/4	19	12	3/4	41.3	55
1300X12-16	3/4	19	12	1	47.6	61
1300X16-16	1	25.4	16	1	47.6	63
1300X16-20	1	25.4	16	1.1/4	54	70
1300X20-20	1.1/4	31.8	20	1.1/4	54	70
1300X20-24	1.1/4	31.8	20	1.1/2	63.5	76
1300X24-24	1.1/2	38.1	24	1.1/2	63.5	76
1300X24-32	1.1/2	38.1	24	2	79.4	85
1300X32-32	2	50.8	32	2	79.4	92

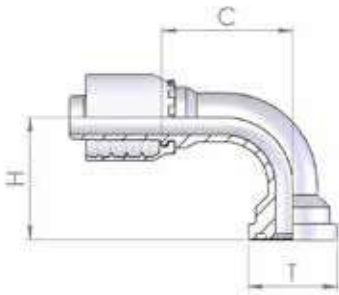
# 1200X

## 45° SAE Flange 6000 PSI



Part number	Hose I.D.		dash size	Dimension			
	in	mm		Flange		cut-off	Drop
				T	mm	C	H
1200X12-12	3/4	19	12	3/4	41.3	87	30
1200X12-16	3/4	19	12	1	47.6	94	34
1200X16-16	1	25.4	16	1	47.6	109	37
1200X16-20	1	25.4	16	1.1/4	54	115	41
1200X20-20	1.1/4	31.8	20	1.1/4	54	155	43
1200X20-24	1.1/4	31.8	20	1.1/2	63.5	155	45
1200X24-24	1.1/2	38.1	24	1.1/2	63.5	122	50
1200X24-32	1.1/2	38.1	24	2	79.4	187	56
1200X32-32	2	50.8	32	2	79.4	161	71

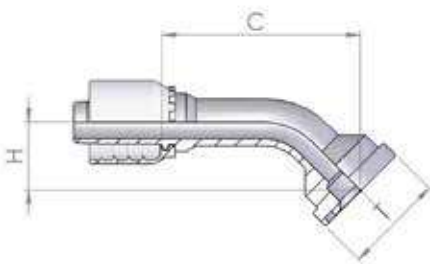
# 1100X



## 90° SAE Flange 6000 PSI

Part number	Hose I.D.		dash size	Dimension			
	in	mm		Flange		cut-off C	Drop H
				T	mm		
1100X12-12	3/4	19	12	3/4	41.3	58	57
1100X12-16	3/4	19	12	1	47.6	56	63
1100X16-16	1	25.4	16	1	47.6	72	69
1100X16-20	1	25.4	16	1.1/4	54	72	77
1100X20-20	1.1/4	31.8	20	1.1/4	54	103	85
1100X20-24	1.1/4	31.8	20	1.1/2	63.5	114	91
1100X24-24	1.1/2	38.1	24	1.1/2	63.5	118	102
1100X24-32	1.1/2	38.1	24	2	79.4	122	114
1100X32-32	2	50.8	32	2	79.4	140	143

# 1100X



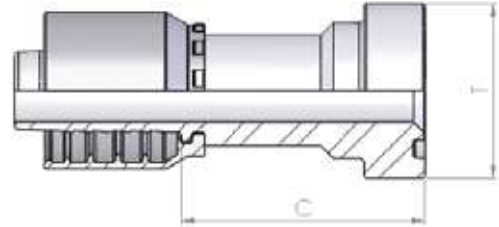
## 60° SAE Flange 6000 PSI

Part number	Hose I.D.		dash size	Dimension				Degree
	in	mm		Flange		cut-off C	Drop H	
				T	mm			
1100X12-12 60	3/4	19	12	3/4	38.1	78	36	60°
1100X16-16 60	1	25.4	16	1	44.5	97	43	60°
1100X20-20 60	1.1/4	31.8	20	1.1/4	50.8	116	49	60°
1100X24-24 60	1.1/2	38.1	24	1.1/2	60.3	175	54	60°
1100X32-32 60	2	50.8	32	2	79.4	198	98	60°



# 130SX

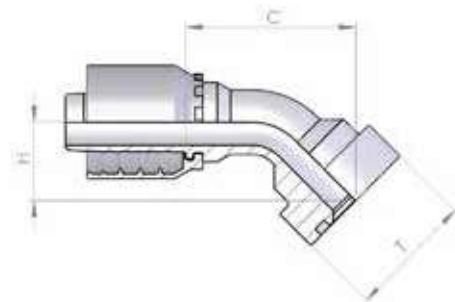
## Straight 'CAT' Flange



Part number	Hose I.D.		dash size	Dimension		
	in	mm		Flange		cut-off
				T	mm	C
130SX12-12	3/4	19	12	3/4	41	59
130SX12-16	3/4	19	12	1	48	66
130SX16-16	1	25.4	16	1	48	67
130SX16-20	1	25.4	16	1.1/4	54	75
130SX20-20	1.1/4	31.8	20	1.1/4	54	74
130SX20-24	1.1/4	31.8	20	1.1/2	63.5	78
130SX24-24	1.1/2	38.1	24	1.1/2	63.5	80
130SX32-32	2	50.8	32	2	79.4	94

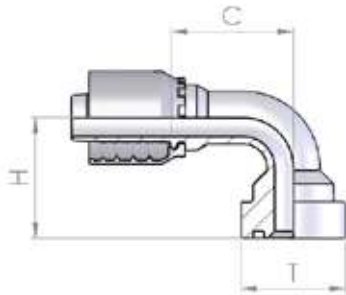
# 120SX

## 45° 'CAT' Flange



Part number	Hose I.D.		dash size	Dimension			
	in	mm		Flange		cut-off	Drop
				T	mm	C	H
120SX12-12	3/4	19	12	3/4	41	90	32
120SX12-16	3/4	19	12	1	48	97	33
120SX16-16	1	25.4	16	1	48	121	40
120SX16-20	1	25.4	16	1.1/4	54	124	44
120SX20-20	1.1/4	31.8	20	1.1/4	54	146	44
120SX20-24	1.1/4	31.8	20	1.1/2	63.5	157	48
120SX24-24	1.1/2	38.1	24	1.1/2	63.5	172	52
120SX32-32	2	50.8	32	2	79.4	162	72

# 110SX



## 90° 'CAT' Flange

Part number	Hose I.D.		dash size	Dimension			
	in	mm		Flange		cut-off	Drop
				T	mm		
110SX12-12	3/4	19	12	3/4	41	58	60
110SX12-16	3/4	19	12	1	48	58	67
110SX16-16	1	25.4	16	1	48	80	74
110SX16-20	1	25.4	16	1.1/4	54	79	80
110SX20-20	1.1/4	31.8	20	1.1/4	54	103	88
110SX20-24	1.1/4	31.8	20	1.1/2	63.5	96	95
110SX24-24	1.1/2	38.1	24	1.1/2	63.5	118	104
110SX24-32	1.1/2	38.1	24	2	79.4	122	118
110SX32-32	2	50.8	32	2	79.4	142	145